

STOVAX



Riva Open Log Burning Convactor Fireboxes

16", 22", 24", 26" & 28" Standard and Low models

Instructions for Use, Installation and Servicing

For use in Great Britain and Republic of Ireland.



This appliance has been certified for use in countries other than those stated. To install this appliance in these countries, it is essential to obtain the translated instructions and in some cases the appliance will require modification. Contact Stovax for further information.

IMPORTANT

This appliance will become hot whilst in operation, it is therefore recommended that a suitable guard should be used for the protection of young children, the elderly or infirm. Do not attempt to burn rubbish in this appliance.

Please read these Instructions carefully before installation or use.
Keep them in a safe place for future reference and when servicing the fire.

The commissioning sheet found on page 3 of these instructions should be completed by the Installer.

COVERING THE FOLLOWING MODELS:

8610/8611/8604/8605/8606/8607/8608/8609/8673

APPLIANCE COMMISSIONING CHECKLIST	3	COMMISSIONING	27
USER INSTRUCTIONS	4	MAINTENANCE & SERVICING	28
General Points	4	Annual Service	28
Using the Appliance for the first time	5	Removal of Flue Damper	28
Recommended Fuels	5		
Lighting the appliance	6	SERVICE RECORDS	30
Running the appliance	6	EC DECLARATION OF CONFORMITY	31
Burning Tips	7		
Ash Removal	8		
Extended burning	9		
Over-Firing	9		
Chimney Fire	9		
General Cleaning	9		
Cleaning Glass	9		
Chimney Sweeping	10		
Care of Stove	10		
Seasonal Use	10		
Troubleshooting Tips	10		
INSTALLATION INSTRUCTIONS	11		
Technical Specifications	11		
Standard Features	11		
Packing List	11		
Dimensions	12		
SITE REQUIREMENTS	14		
Flue & Chimney	14		
Flue output positions	15		
Hearth Dimensions	15		
Builders Opening	16		
Fire Surround Clearances	16		
PRE-INSTALLATION	17		
Ventilation	17		
Additional Ventilation	18		
INSTALLATION	19		
Legal Requirements	19		
Installing the Appliance	19		
Fitting of fuel kits - Log	20		
Fitting of fuel kits - Multi-fuel	20		
Fitting of Frames	21		
Removable Bottom Frame Plate	23		
Fitting of Optional Flue Gather	24		
Installing Cast Iron Convector	24		
Fitting & Removal of Flue Damper	25		
Damper Arm Adjustment	25		
Fitting & Removal of Traditional Sparkguard	26		
Fitting & Removal of Contemporary Steel Frame Sparkguard	26		



This appliance has been approved by HETAS Ltd.

APPLIANCE COMMISSIONING CHECKLIST

To assist us in any guarantee claim please complete the following information:-

Dealer appliance was purchased from

Name:

Address:

.....

Telephone number:

Essential information - MUST be completed

Date installed:

Model description:

Serial number:

Installation Engineer

Company name:

Address:

.....

Telephone number:

Commissioning Checks (to be completed and signed)

Is flue system correct for the appliance YES NO

Flue swept and soundness test complete YES NO

Appliance sealed to opening YES NO

Smoke test completed on installed appliance YES NO

Spillage test completed YES NO

Use of appliance and operation of controls explained YES NO

Instruction book handed to customer YES NO

Signature:

Print name:

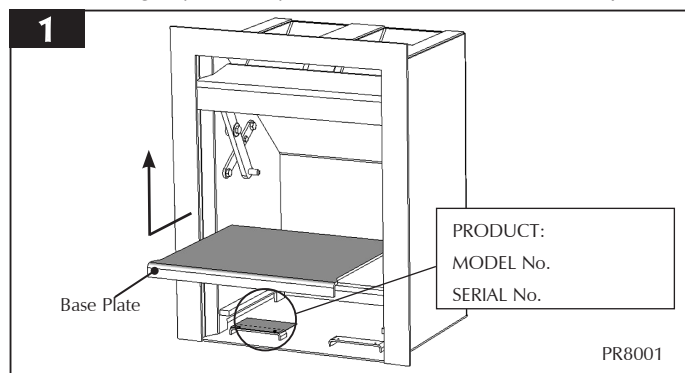
USER INSTRUCTIONS

1. GENERAL POINTS

- 1.1 **Before use of this appliance please read these instructions fully.**
- 1.2 **All local regulations, including those referring to national and European Standards need to be complied with when installing the appliance.**
- 1.3 Only use for domestic heating in accordance with these operating instructions.
- 1.4 You must burn only approved fuels. Do not use with liquid fuels or as an incinerator.
- 1.5 Appliance surfaces become very hot when in use. Use a suitable fireguard if young children, elderly or infirm persons are present. Stovax offer firescreens, sparkguards and hearthgate systems for protection*. Your Stovax dealer can advise you about these products.
- 1.6 Do not place photographs, TV's, paintings, porcelain or other combustible items on the wall or near the appliance. Exposure to hot temperatures will cause damage.
- 1.7 Extractor fans or cooker hoods must not be placed in the same room or space as this can cause appliance to emit fumes into the room.
- 1.8 Do not obstruct inside or outside ventilation required for the safe use of this appliance.
- 1.9 Do not make unauthorised changes to the appliance.
- 1.10 The chimney must be swept at least once a year. See Section 12
- 1.11 **Do not connect, or share, the same flue or chimney system with another appliance.**

SERIAL NUMBER

This number will be required when ordering spare parts or making any warranty claims. It is found on the Data plate.



*In the U.K: These products must conform to BS 6539, Fireguards for use with solid fuel appliances. If appliance is operating unattended they must conform to BS 3248

- 1.12 To access the data plate:

If a Contemporary Steel Frame is fitted, lift the frame off, see *Installation Instructions Section 3 Fitting Of Frames*.

If fitted remove multi-fuel kit or log tray before lifting out the base plate, see *Installation Instructions Section 2 Fitting Of Fuel Kits*.

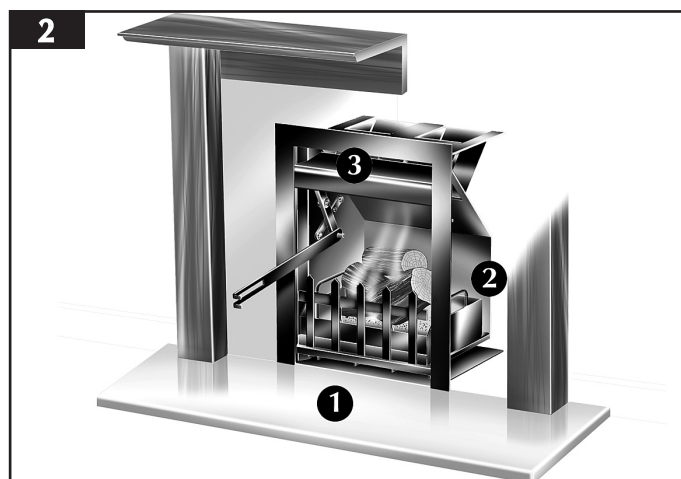
- Lift out the base plate, diagram 1

AIR CONTROLS

Convection principle

Convector boxes convert more of the potential heat in fuel than an open hearth.

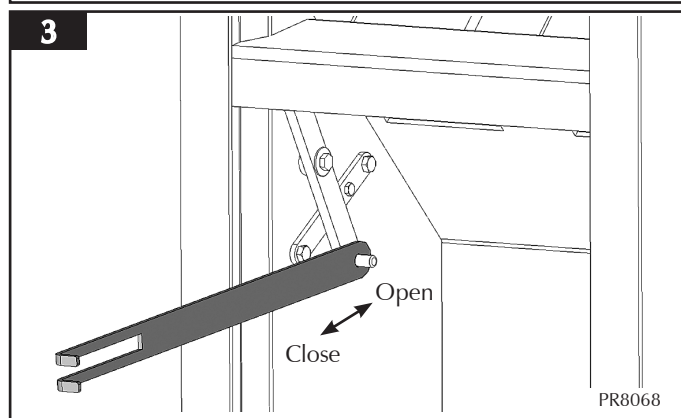
- 1) Air is drawn in below the firebox
- 2) It is heated in the convection chambers on both sides and below the firebox.
- 3) Warm air passes out into the room giving additional radiated heat.



For Damper Controls, See Diagram 3

To operate: Move the Damper Control using the tool provided

DO NOT OPERATE WITH BARE HANDS



USER INSTRUCTIONS

WARNING

Properly installed operated and maintained this appliance will not emit fumes into the room.

Occasional fumes from de-ashing and refuelling may occur.

Persistent fume emission is potentially dangerous and must not be tolerated.

If fume emission does persist:

- Open doors and windows to ventilate the room
- Allow fire to burn out or safely dispose of fuel from the appliance
- Check for chimney blockage and clean if required
- Do not attempt to relight until the cause of the emission has been identified and corrected
If necessary seek expert advice.

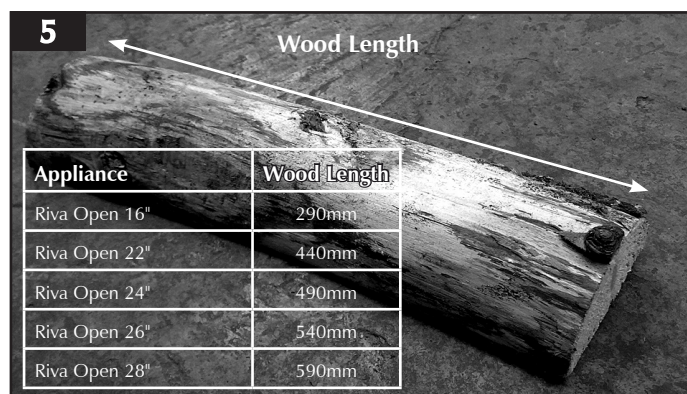
2. USING THE APPLIANCE FOR THE FIRST TIME

- 2.1 To allow the appliance to settle and fixing glues and paint to fully cure:
 - Operate the appliance at a low output for first few days
- 2.2 **Do not touch the paint during the first period of use.**
- 2.3 During this time the appliance may give off some unpleasant odours:
 - Keep the room well ventilated to avoid a build-up of fumes.

3. RECOMMENDED FUELS

3.1 Wood Logs:

- Burn only seasoned timber with a moisture content of less than 20%



- Dry cut wood for 12 to 18 months before use

Poor quality timber:

- Causes low combustion efficiency
- Produces harmful condensation
- Reduces effectiveness of the airwash and life of the appliance

Do not burn construction timber, painted, impregnated / treated wood, manufactured board products or pallet wood.

3.2 Solid fuel:

- Burn only anthracite or manufactured briquette smokeless fuels listed as suitable for use with open heating appliances

Do not burn bituminous coal, 'petro-coke' or other petroleum based fuels as this will invalidate the product guarantee.

3.3 Fuel consumption.

As tested at nominal heat output to the requirements of EN13229: 2001 for intermittent operation:

Description	Fuel Consumption	
	Kg/hour Wood	Kg/hour Briquette Smokeless fuel
Riva Open 16"	3.8	1.3
Riva Open 22"	4.0	1.7
Riva Open 24"	4.2	2.1
Riva Open 26"	4.7	2.1
Riva Open 28"	5.2	2.1

3.4 For advice on suitable solid fuels:*

- Contact your local approved coal merchant

A number of factors can affect the performance of the appliance.
See Section 6 for details.

*In the U.K:

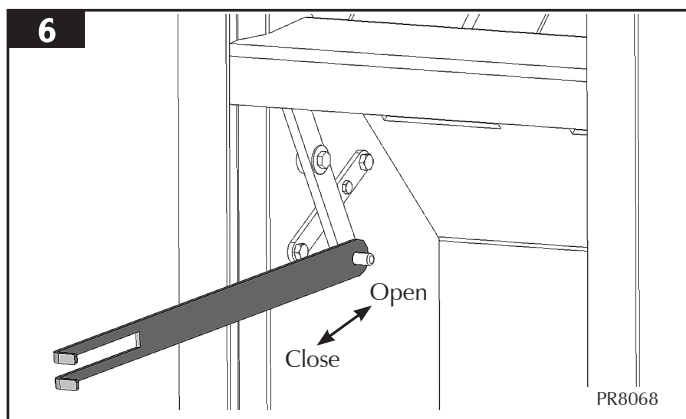
- Ring the Solid Fuel Association advice line on 0845 601 4406 for details
- Visit their web site at www.solidfuel.co.uk

USER INSTRUCTIONS

4. LIGHTING THE APPLIANCE

4.1 For best results:

- Set damper controls, See Diagram 6

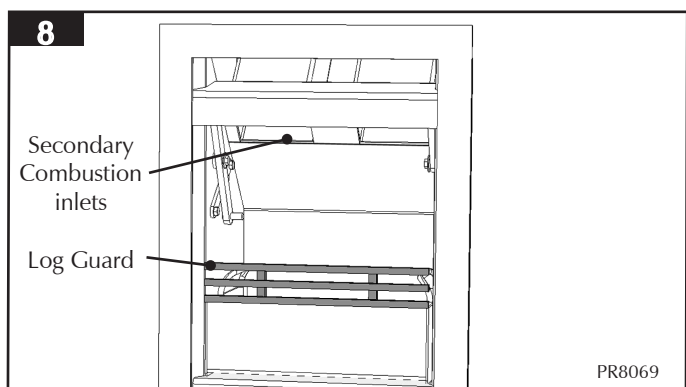


- Place firelighters or paper and dry kindling wood on the base of the firebox
- Light the paper or firelighters, See Diagram 7



- Add larger pieces of wood
Too many logs may smother the fire.

Do not load fuel above the log guard and the secondary combustion inlets at the back of the firebox.
See Diagram 8



5. RUNNING THE APPLIANCE

5.1 **Burning Wood:**

To burn wood it is required to fit a **log box** as listed:

Riva Open Cassette	16"	22"	24"	26"	28"
Product Code Std	8610/	8604/	8606/	8608/	8673
Product Code Low	8611	8605	8607	8609	
Holyrood Black	8627	8628	8629	8630	
Holyrood Polished	8627P	8628P	8629P	8630P	
Castle		8623	8624	8625	
Portcullis	8678	8666	8667	8668	8669
Contemporary log box	8706	8711		8721	

- Wood burns best on a bed of ash
- Rake the embers evenly over the fire bed and open the **Damper control** (Diagram 6) fully for a few minutes before re-fuelling

- 5.2 Burn new logs at high output for a few minutes before adjusting the **Air Damper control** if required. Refuel little and often for clean, efficient burning.
- 5.3 Experience establishes settings to suit personal preferences.
- 5.4 Do not burn large amounts of fuel with the **Air Damper control** closed for long periods of time. This reduces the build up of tar and creosote in the appliance and flue system.
- 5.5 When in use, burning the appliance at high output for a short period also reduces tars and creosote.

5.6 **Burning Solid fuel:**

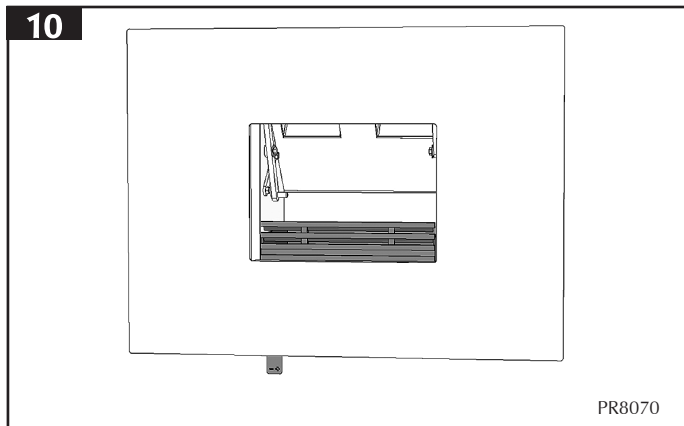
To burn smokeless fuels it is required to fit a **multi-fuel kit/cast basket** as listed:

Phoenix Cassette	Product Code	Multi-fuel kit code	Cast Basket Code
16"	8610/8611	8705	8686
22"	8604/8605	8710	8687
24"	8606/8607	-	8687
26"	8608/8609	8720	8688
28"	8673	-	8688

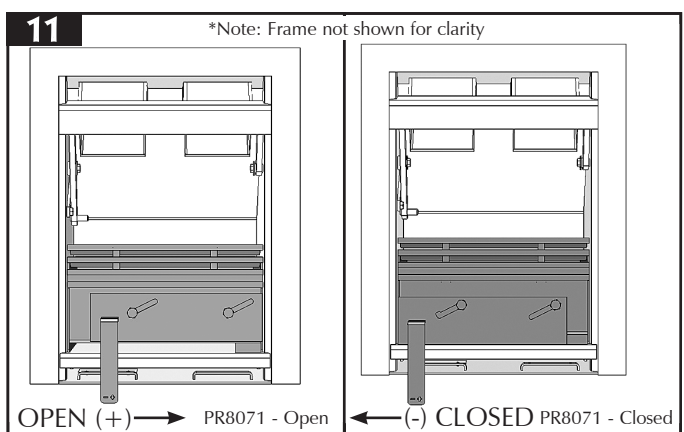
USER INSTRUCTIONS

The **multi-fuel kit** is fitted as shown:

Note that this kit must only be used with the appropriate Steel frame, Diagram 10.

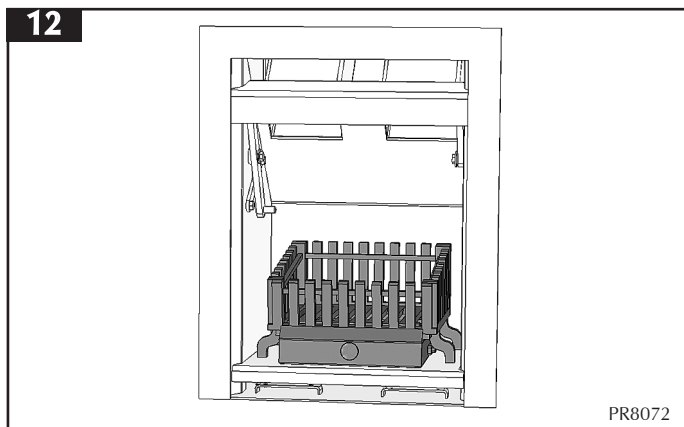


- Set **Primary Air Control**, see Diagram 11



The **Primary Air Control** must be either fully open or fully closed.

The **Cast basket** is fitted as shown:



- Set air damper controls, See Diagram 6

- 5.7 De-ash the fire bed before re-fuelling, See Section 7 *Ash Removal*
 - Burn new fuel at high output for a few minutes before adjusting the **Air Damper control*** to the desired setting
 - Refuel little and often for clean, efficient burning.
- 5.8 Experience establishes control settings to suit personal preferences
- 5.9 Do not burn large amounts of fuel with the **Air Damper Control*** on low settings for long periods of time. This reduces the build up of tar and creosote in the appliance and flue system.
- 5.10 When in use, burning the appliance at high output for a short period also reduces tars and creosote.
- 5.11 **You must burn only anthracite or smokeless fuels suitable for use in open appliances.**
- 5.12 **Do not burn bituminous coal, 'petro-coke' or other petroleum based fuels as this invalidates the product guarantee.**

Do not load fuel above the log guard or front of cast baskets and the bend at the back of the firebox.
See Diagram 8

* and **Primary Air Control** in the case of Multi-fuel kits

6. BURNING TIPS

6.1 Fuel Quality (Wood)

Use wood with a moisture content of less than 20%. Seasoned logs have the bark beginning to lift and peel away and cracks radiating from the centre. They feel lighter than fresh cut wood of a similar size and sound hollow when struck against each other. Logs should not feel damp or have moss and fungal growths.

Symptoms related to wet wood:

- Difficulty starting and keeping a fire burning well
- Smoke and small flames
- Rapid creosote build-up in the chimney
- Low heat output
- Short burn times, excessive fuel consumption and blue/grey smoke from the chimney

- Burn at high output for a short period to avoid large build-ups of tars and creosote within the appliance and the flue system
- Use Stovax Protector chimney cleaner to reduce this problem

6.2 Fuel Quality (Solid Fuel)

- Use recommended solid fuels approved for use with open appliances.

Symptoms related to unsuitable fuels include:

- Difficulty starting and keeping a fire burning well

USER INSTRUCTIONS

- Smoke and small flames
- Short life span for grate

6.3 Flue Draught

The chimney has two main functions:

- 1) To safely remove the smoke, gases and fumes from the house.
- 2) To provide a sufficient amount of draught (suction) in the appliance ensuring the fire keeps burning.

Draught is caused by the rising hot air in the chimney when the appliance is lit.

Symptoms of poor performance related to flue draught include:

- Excessive fuel consumption (high flue draught)
- Poor burning control, overheating (high flue draught)
- Wind noise from air controls (high flue draught)
- Difficulty getting a fire going and keeping it burning well (low flue draught)
- Low heat output (low flue draught)
- Smoke entering room when doors opened (low flue draught)

The construction, position, size and height of the chimney all affect the performance of the flue draught.

Other factors effecting the flue draught include:

- Trees or other buildings nearby causing turbulence
- High and gusty winds
- Outside temperature
- Outside weather conditions
- Incorrect additional ventilation to building
- Blocked flue / chimney

For advice on the correction of persistent flue problems consult a qualified solid fuel heating engineer before continuing to use the appliance.

6.54 Weather conditions

The weather conditions outside the building can effect the burning performance of the appliance. These could include:

Weather Conditions	Problem	Effect
Windy days	Buildings/Obstacles cause turbulent air around chimney.	Smoky Appliance
Calm days	Oversized Chimney.	Smoky Appliance
Damp / Rainy days	Flue temperature not hot enough. Rain water inside chimney.	Lighting and burning problems

To reduce these problems:

- Use good quality kindling wood to start the fire
- Burn initially at a high temperature for a short period

- Fit a rain cowl to the chimney
Your installer should advise you on possible solutions.

If the appliance emits smoke into the room continuously:

- Allow the appliance to go out
- Ventilate the room to clear the fumes

Do not re-light the appliance until the problem is solved.

7. ASH REMOVAL

Do not allow ash to build up in the appliance as it will not burn properly and may cause damage.

7.1 Wood:

Regular cleaning:

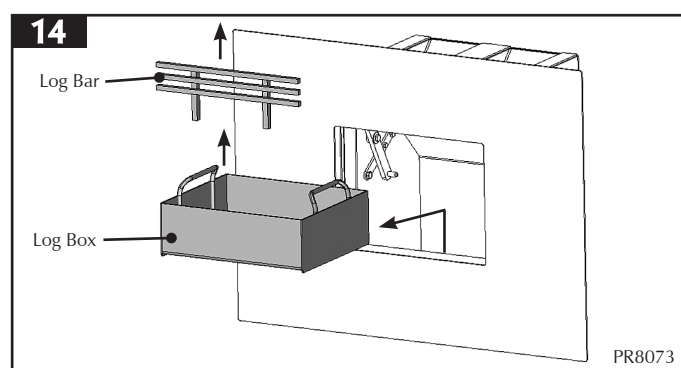
- De-ash at least once a week by removing ash from the log box whilst located in the appliance
- Leave a thin layer of ash to start the new fire on

Thorough cleaning:

- Remove the Log bar/front by lifting vertically

Where a Steel frame is fitted the removable bottom frame plate must be removed prior to lifting out the log box, *Installation Instructions 3A*.

- Lift the Log box above the bottom lip of the frame opening
- Clean the log box and any ash on the appliance base plate

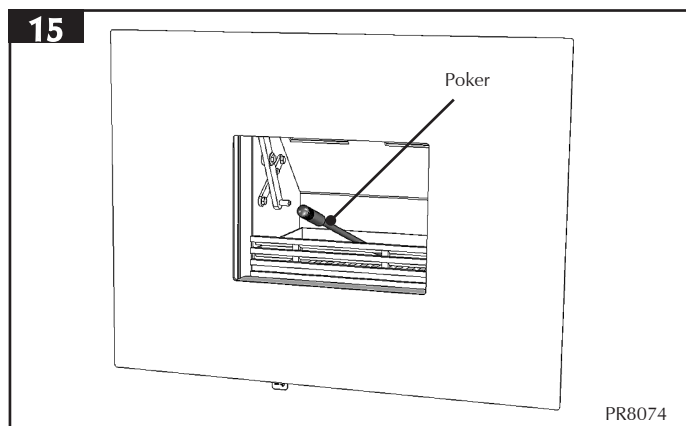


7.2 Multi-fuel:

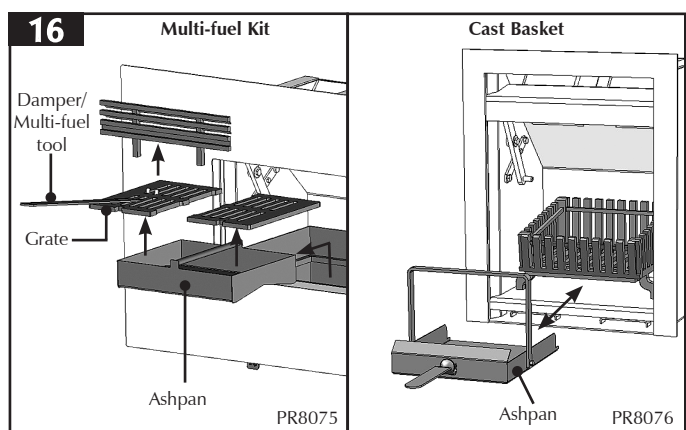
De-ash the appliance before filling with new fuel. Do not allow ash to build up on the underside of the grate as this can cause premature failure.

- Riddle, with a poker, See Diagram 15

USER INSTRUCTIONS



7.3 Remove components carefully. Heat can remain long after use, See Diagram 16



Where a steel frame is fitted on the multi-fuel kit version:

- Remove the logbar and bottom frame plate before removing the grates (Using the tool supplied) and Multi-fuel box ashpan, see Installation Section 2 & 3
Once the bottom frame plate is removed access can be gained to ash build up on the base plate with a vacuum cleaner

7.4 Use gloves, or place the ash into a Stovax Ash Caddy (Stovax Part No. 4227)

7.5 Do not place hot ash in a bin made from plastic or any other combustible material.

8. EXTENDED BURNING

8.1 It is possible to lengthen the re-fuelling period. In order to do this:

- De-ash prior to refuelling
- Set Air Damper control (Primary if multi-fuel kit fitted) to low combustion setting

In the U.K:

* registered with HETAS (GB only)/INFO (Republic of Ireland only)

** This should be done by a NACS registered (UK only)/ INFO registered (Eire only) chimney sweep, who will issue you with a certificate.

- Use smokeless fuel or small, thick logs depending on fuel desired

9. OVER-FIRING

9.1 Do not over-fill with fuel or use at maximum output for long periods or over-firing can occur. If the flue pipe, flue collar or top plate glow red the appliance is over-firing:

- Close the Air Damper (Primary if multi-fuel kit fitted) control to reduce the output

9.2 Over-firing can cause permanent damage to the appliance.

10. CHIMNEY FIRE

10.1 If a chimney fire occurs:

- Shut all Air Damper and Multi-fuel controls immediately
- Evacuate the building
- Call the fire brigade
- Do not re-enter the building until it is confirmed safe

10.2 **Do not use the appliance after a chimney fire until:**

- It has been inspected by a registered installer, confirming the appliance is safe to use***
- The chimney system inspected and swept by a chimney sweep, confirming the system is structurally sound and free from obstruction before re-use.**
- It is repaired as required before re-use.** Use only genuine Stovax replacement parts to keep your appliance in safe and efficient working order.

11. GENERAL CLEANING

11.1 **Allow appliance to cool thoroughly to avoid risk of burns:**

- Clean regularly, according to the level of use
- Give attention to the damper system, flue ways and removing ash

Regular cleaning and maintenance will help give many years of safe use.

- Clean matt black appliances using Stovax Collodial black or Stovax Grate Polish

To refresh painted finishes use Stovax Thermolac paint.

- Clean finishes using warm soapy water and a soft clean cloth[†]
- Do not use aerosol sprays near an operating appliance

Wipe dry with a soft clean cloth[†] before re-lighting. Do not leave unit without drying, as this may cause rust.

Do not use abrasive cleaner or cleaning pads.

[†] Note: It is recommended to use a lint free cloth when cleaning this appliance

USER INSTRUCTIONS

13. CHIMNEY SWEEPING

13.1 To maintain safe and efficient use of the appliance the chimney/flue must be inspected and swept at least once a year by a qualified chimney sweep.*

If the appliance is used continuously throughout the year or it is used to burn wood or smokeless fuel, more frequent sweeping is recommended.

The best time to have the chimney swept is at the start of the heating season.

The above applies even if burning smokeless fuels.

13.2 The chimney, any connecting flue pipe and the appliance flue ways if incorporated, must be regularly cleaned.

13.3 Ensure adequate access to cleaning doors where it is not possible to sweep through the chimney.

13.4 If the appliance is believed to have previously served an open fire the chimney must be swept a second time within a month of regular use after installation.

14. CARE OF STOVE

Stovax has a range of cleaning and maintenance products and accessories to keep your appliance in good working condition. Your Stovax retailer can provide full details but here is a brief list of useful items:

Product Code	Description
3047	Extra long matches
5039	Gas lighter
4052	Log basket
3048	Wood sling - for easy carrying of logs
3016	Log tongs
4027	Extra long protective gloves
5038	Hearthgate - 5 section (for areas 1780x610mm)
5044	Hearthgate - 7 section (for areas 1780x405mm)
4227	Ash caddy - 382x102x306mm
4228	Ash caddy - 446x102x306mm
4229	Ash caddy - 382x102x459mm
4230	Ash caddy - 637x127x408mm
4231	Ash caddy - 306x178x459mm
2091	Ashclean vacuum cleaner attachment
4232	Steel brush

Your retailer can provide genuine spare parts when required. An annual service by a competent engineer is recommended to keep your appliance in best possible condition.



15. SEASONAL USE

15.1 Clean and service the appliance if it is not used during the warmer periods of the year as detailed in the *Maintenance and Servicing* section

15.2 Set the Air Damper control 50% open to keep the appliance ventilated and stop the build-up of any moisture inside.

15.3 Before re-lighting the appliance:

- Clear any debris that may have accumulated
- Check the flue is clear of any blockages

16. TROUBLESHOOTING TIPS

16.1 Appliance is producing tar:

This is identified by:

- A very strong pungent smell shortly after the appliance is lit and heats up
- Thick, brown and sticky tar oozes from the pipe joints

This is caused by burning damp wood and burning your appliance at too low a temperature;

- Use well seasoned wood and operate the appliance in the ideal temperature range

Tar is a major cause of chimney fires - if you experience problems with tar build up consult a chimney sweep before continued use of your appliance.

In the U.K:

* This should be done by a NACS registered (UK only)/ INFO registered (Eire only) chimney sweep, who will issue you with a certificate.

TECHNICAL SPECIFICATION

RIVA OPEN

Model			16" Riva Open	22" Riva Open	24" Riva Open	26" Riva Open	28" Riva Open
Nominal Heat Output	Wood	kW	4	6.5	8	9	10
	Solid Fuel	kW	3	4	5	5	5
Flue Draught at Nominal Heat	All Fuels	mm	1.25	1.25	1.25	1.25	1.25
		inch Wg	0.05	0.05	0.05	0.05	0.05
Flue Gas Mass Flow	Wood	g/s	39.1	45.0	52.8	53.0	54.1
	Solid Fuel	g/s	27.8	30.0	75.1	45.0	49.5
Flue Gas Temperature at Spigot/Socket	Wood	°C	200	155	165	180	220
	Solid Fuel	°C	110	125	120	150	150
Flue Outlet Size		mm	2x(120x102)	3x(105x105)	3x(122x105)	3x(138x105)	3x(138x105)
		inch	2x(4 ³ / ₄ x4)	3x(4 ¹ / ₈ x4 ¹ / ₈)	3x(4 ¹³ / ₁₆ x4 ¹ / ₈)	3x(5 ⁷ / ₁₆ x4 ¹ / ₈)	3x(5 ⁷ / ₁₆ x4 ¹ / ₈)

Weight	Std	kg	62	83	86	89	97
	Low	kg	59	76	81	86	-

Recommended Fuel	Wood	Seasoned wood (less than 20% moisture content)
	Solid Fuel	Briquette smokeless fuel suitable for open appliances (Homefire - Supertherm)

As tested to the requirements of EN 13229:2001 for intermittent operation

1. STANDARD FEATURES

- Damper Control
- Primary air (under grate air for full multi-fuel use)*

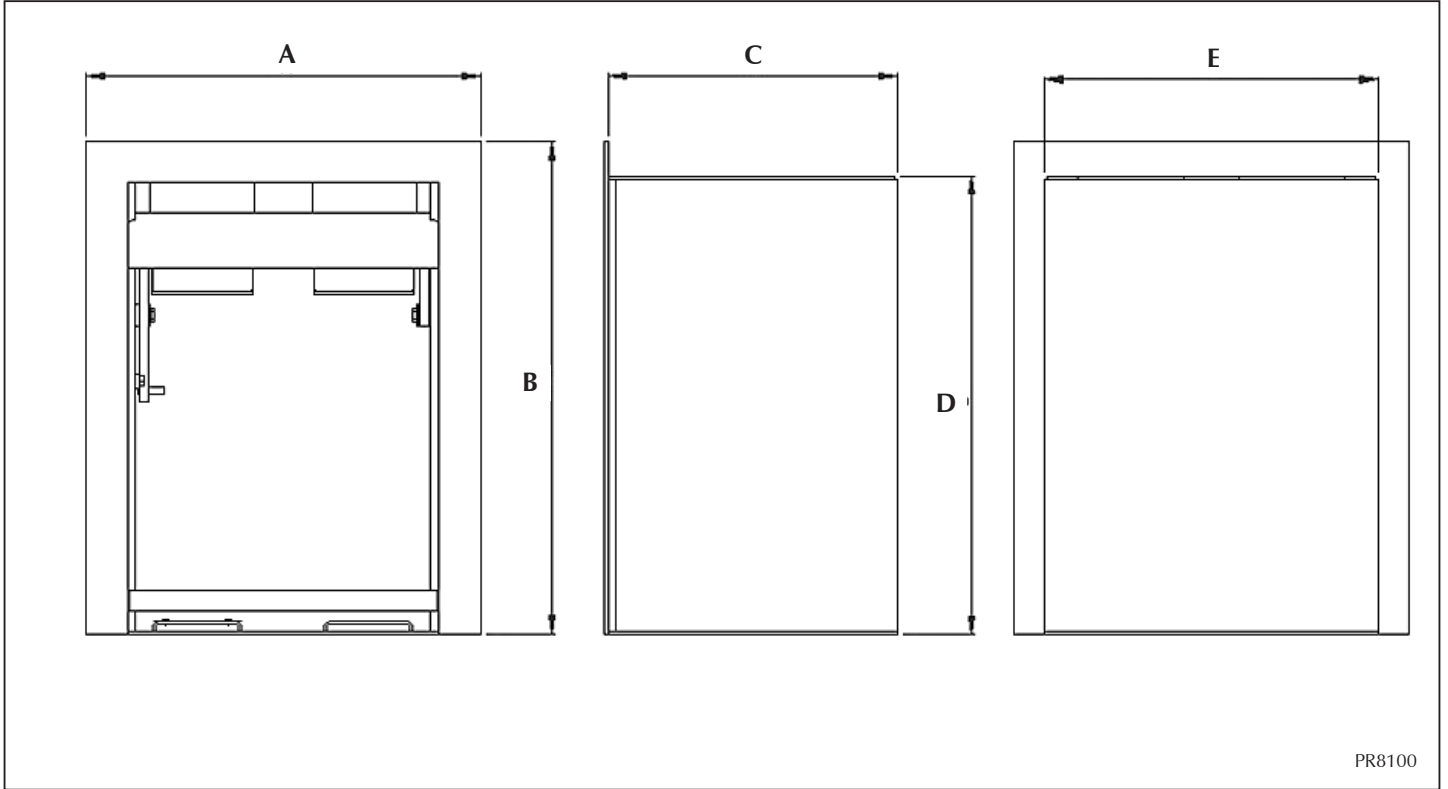
* Multi-fuel kits 8705, 8710, 8720 only

2. PACKING LIST

- Instructions
- Guarantee card
- Pair of gloves
- Damper/Multi-fuel grate Tool
- Poker

TECHNICAL SPECIFICATION

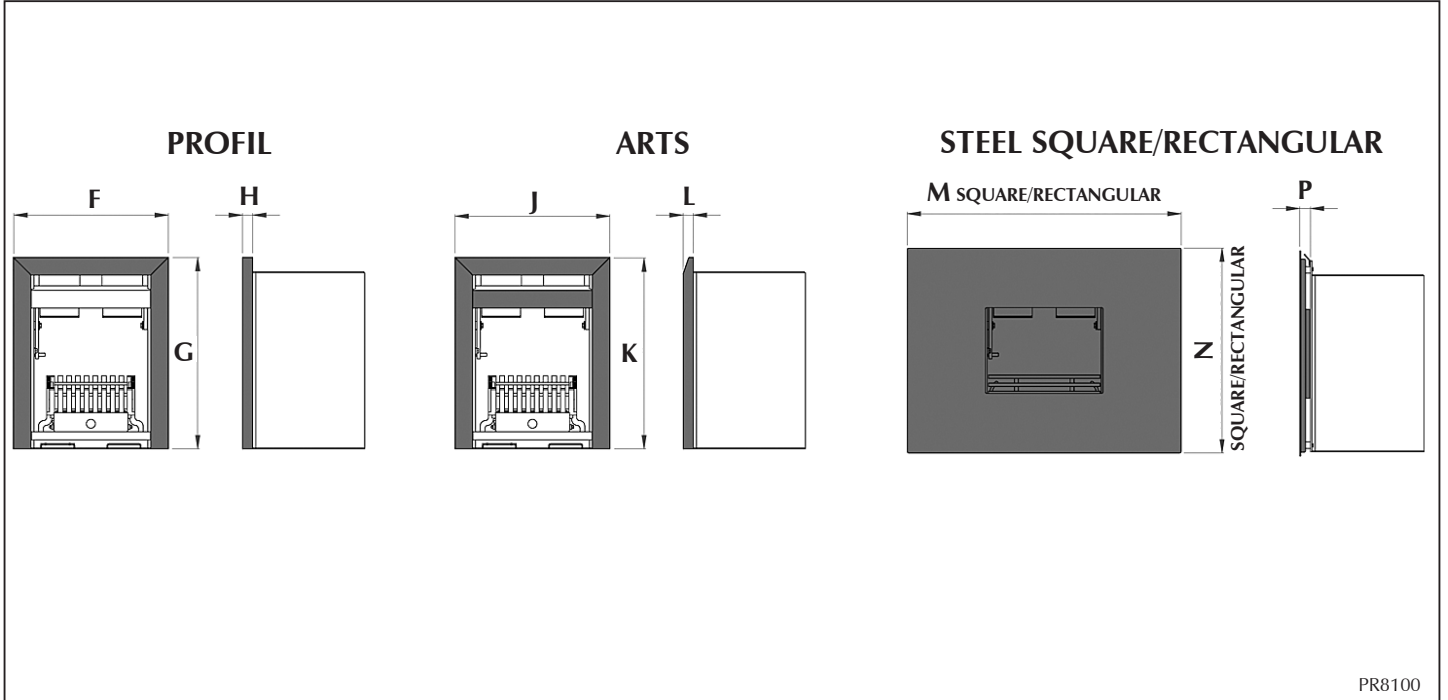
RIVA OPEN DIMENSIONS



	16"	Low	22"	Low	24"	Low	26"	Low	28"
A	474	474	624	624	674	674	724	724	774
B	592	542	652	592	652	592	652	592	652
C	348	348	348	348	348	348	348	348	348
D	550	500	610	550	610	550	610	550	610
E	400	400	550	550	600	600	650	650	700
F	489	489	639	639	689	689	739	739	789
G	595	545	655	595	655	595	655	595	655
H	16	16	16	16	16	16	16	16	16
J	481	-	-	-	-	-	-	-	-
K	595	-	-	-	-	-	-	-	-
L	32	-	-	-	-	-	-	-	-
M Square	-	-	765	-	-	-	865	-	-
M Rectangular	850	-	1280	-	-	-	1380	-	-
N Square	-	-	700	-	-	-	800	-	-
N Rectangular	637	-	700	-	-	-	720	-	-
P	33	-	33	-	-	-	33	-	-

TECHNICAL SPECIFICATION

RIVA OPEN DIMENSIONS



PR8100

PROFIL

	16"	22"	24"	26"	28"
Profil Brass - standard height	8633	8635	8637	8639	8626
Profil Brass - low lintel	8674	8636	8638	8640	-
Profil Brushed Stainless - standard height	8633BS	8635BS	8637BS	8639	8626BS
Profil Brushed Stainless - low lintel	8674BS	8636BS	8638BS	8640BS	-

ARTS

	16"	22"	24"	26"	28"
Arts Frame	8700	-	-	-	-

STEEL

	16"	22"	24"	26"	28"
Steel Frame - Rectangular	8730	8732	-	8736	-
Steel Frame - Frame	-	8733	-	8737	-

SITE REQUIREMENTS

1. FLUE OR CHIMNEY

- 1.1 The flue or chimney system must be in good condition. It must be inspected by a competent person and passed for use with the appliance before installation

Products of combustion entering the room can cause serious health risks.

- 1.2 You must check the following:

— The construction of the masonry chimneys, flue block chimneys and connecting flue pipe system must meet the requirements of the Building Regulations†

— A flexible flue liner system can be used if certified for use with solid fuel systems and installation complies with manufacturer's instructions and Building Regulations. The flue liner must be replaced when an appliance is replaced unless proven to be recently installed and in good condition.

— If it is necessary to fit a register plate it must conform to the Building Regulations†

— The minimum height of the flue or chimney must be 4.5m from the hearth to the top of the flue, with no horizontal sections, a maximum of 4 bends with angles of less than 45 degrees

— Ensure the connecting flue pipe is kept a suitable distance from any combustible material and does not form part of the supporting structure of the building

— Make provision to remove the appliance without the need to dismantle the chimney

— Any existing flue must be confirmed as suitable for the new intended use as defined in the Building Regulations

— The flue or chimney systems must be inspected and swept to confirm the system is structurally sound and free from obstructions**

— If the appliance is believed to have previously served an open fire the chimney must be swept a second time within a month of regular use after installation to clear any soots falls that may have occurred due to difference in combustion levels.

— The flue exit from the building must comply with local building control rules.†

— Do not connect or share the flue or chimney system with another heating appliance

- 1.3 Do not connect to systems containing large voids or over 230mm square.
- 1.4 You must provide suitable access to enable the collection and removal of debris.

- 1.5 You must sweep and inspect the flue when the appliance is installed.

- 1.6 You must check the flue draught with all windows and doors closed and any extraction fans in this or adjoining rooms running at maximum speed. (See next section for additional ventilation requirements)

Max. Draught = 2.0mm Wg

Min. Draught = 1.0mm Wg

In the U.K:

*BS 6461: Part 1, and the requirements of Building Regulations

**This should be done by a NACS registered (UK only)/ INFO registered (Ireland only) chimney sweep, who will issue you with a certificate.

† Building Regulations Document J

Flue Plate:

Where a hearth, fireplace, flue or chimney is provided or extended (including cases where a flue is provided as part of refurbishment work), information essential to the correct appliance and use of these should be permanently posted in the building, to meet Requirement J4 of the Building Regulations (England and Wales), F3.12 (Scotland).

† Building Regulations Document J

Additional:

A new factory made system that complies to EN 1856; Part 1 can be used providing installation is to the requirements of:
i) BS 7566 Parts 1 -4
ii) the manufacturer's instructions
iii) Building Regulations.

For a guide containing information on Chimneys and Flues contact:

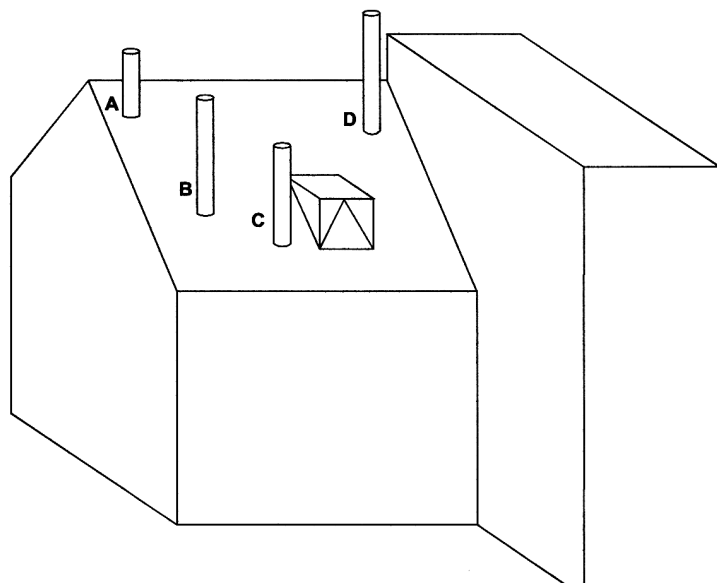
The British Flue & Chimney Manufacturers' Association,
FETA
2 Waltham Court
Milley Lane
Hare Hatch
Reading
Berkshire RG10 9TH

Tel: 0118 9403416

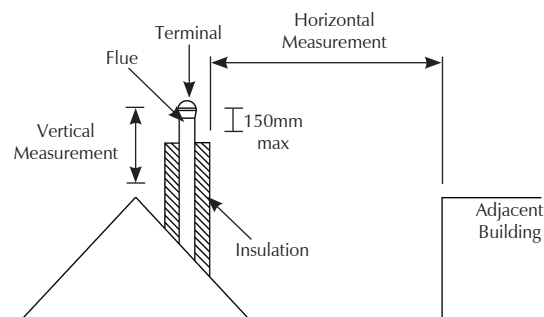
e-mail: info@feta.co.uk

SITE REQUIREMENTS

2. FLUE OUTLET POSITIONS



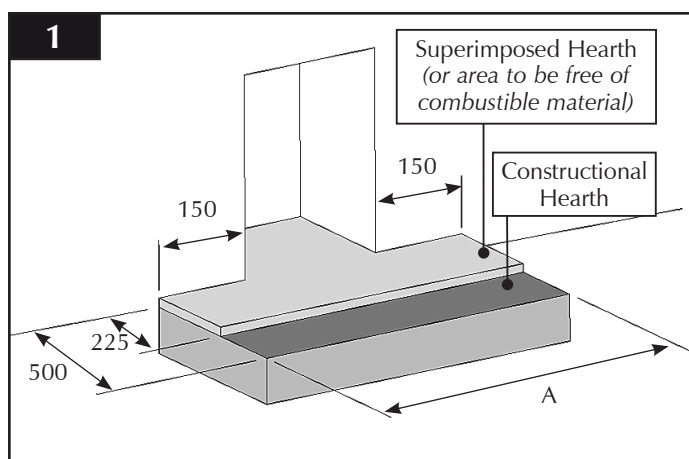
IMPORTANT: Seek specialist advice if installing in a dwelling with a thatched roof



The vertical measurement is the lowest from either the point of discharge or 150mm above insulation.

	Position On Roof	Minimum Clearances
A	On ridge or within 600mm	600mm above ridge
B	Elsewhere on roof	2300mm horizontally from roof surface and: a) 1000mm above highest point of flue exit from roof or b) as high as the ridge
C	On pitched, within 2300mm horizontally to openable window, dormer	1000mm above top of opening
D	Within 2300mm of another building	600mm above top of building

3. MINIMUM DIMENSIONS - HEARTH



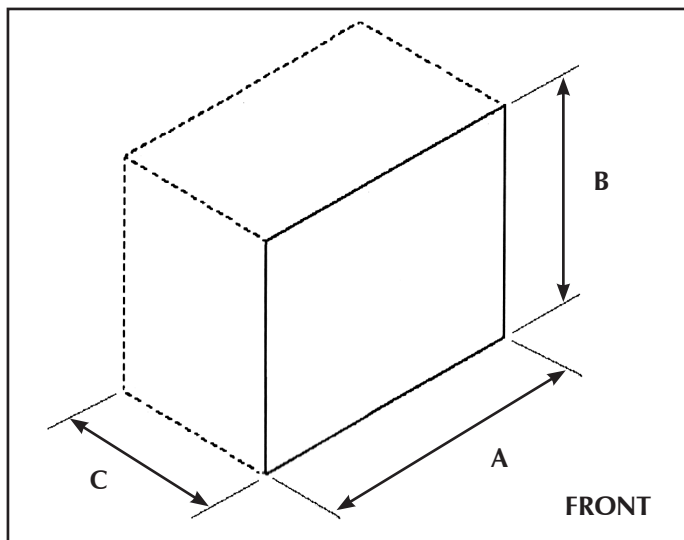
Dimension	A
16"	720
22"	870
24"	920
26"	970
28"	1020

- 3.1 The appliance must stand on a non-combustible constructional hearth which is at least 125mm thick with the minimum dimensions as shown in diagram. If it is to be fitted in a raised setting consideration may need to be given to extending the depth of the hearth to safely containing any falling logs or embers.
- 3.2 The building must have a suitable load-bearing capacity for the hearth and appliance.
 - Consult a structural engineer for advice before proceeding
- 3.3 When fitting into an existing hearth check:
 - That the appliance complies with current construction regulations and is at least the minimum sizes shown
- 3.4 If there is no existing fireplace or chimney it is possible to construct a suitable non-combustible housing and hearth setting. The flue must be installed in accordance with all local and national regulations and current rules in force.
 - Check if adding a new chimney to your property requires planning permission
- 3.5 Some houses are built using a timber frame construction with high levels of thermal insulation. Isolate the appliance from combustible materials, and provide sufficient ventilation to maintain the heating efficiency.

SITE REQUIREMENTS

4. BUILDERS OPENING

To make installation easier make the opening larger than the minimum requirements where possible.



Standard Height

Appliance	Dim A	Dim B	Dim C
16"	420	560	360
22"	570	620	360
24"	620	620	360
26"	670	620	360
28"	720	620	360

Low Lintel

Appliance	Dim A	Dim B	Dim C
16"	420	510	360
22"	570	560	360
24"	620	560	360
26"	670	560	360

Many fireplace openings have a supporting lintel. Remove the covering plaster to identify its position before starting any constructive work. Do not remove constructional lintels without making provision to support the remaining structure of the building.

The appliance must not form any part of the supporting structure.

4.1 The chimney/flue must have a sealed connection to the appliance flue spigot.

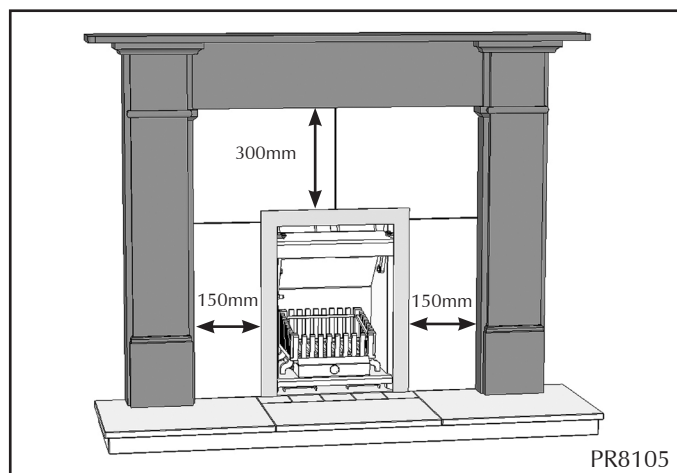
4.2 The structure of the builders opening will reach high temperatures. Use insulating blockwork to reduce the heat transfer to the external walls, in particular the area of the chimney breast above the opening.

4.3 Take care when finishing the chimney breast and surrounding area. The conducted and convected heat emitted by the appliance could be high enough to crack normal plaster. Use a high temperature plaster, or face the area with a suitable high temperature plasterboard. New plaster should be fully dried before the appliance is used, or cracking could occur.

If you are in any doubt about your ability to produce a safe opening contact your Stovax dealer for professional advice.

5. FIRE SURROUND CLEARANCES

If the appliance is to be fitted with a fire surround, use the **minimum** clearances, see Diagram below, between any point of the appliance and any combustible material. Stovax produce a selection of surrounds and details can be obtained from your local supplier.



5.1 We recommend you obtain expert advice before proceeding with work of this nature.

5.2 Some finishes may discolour with heat and some lower quality products may distort, or crack, when in use.

If stone / granite / marble or any other natural material is used to construct the fire surround, or any part of it, provision should be made for expansion and movement of the parts due to heating and cooling.

If you are in any doubt about the installation requirements, or suitability of fire surrounds contact your Stovax dealer.

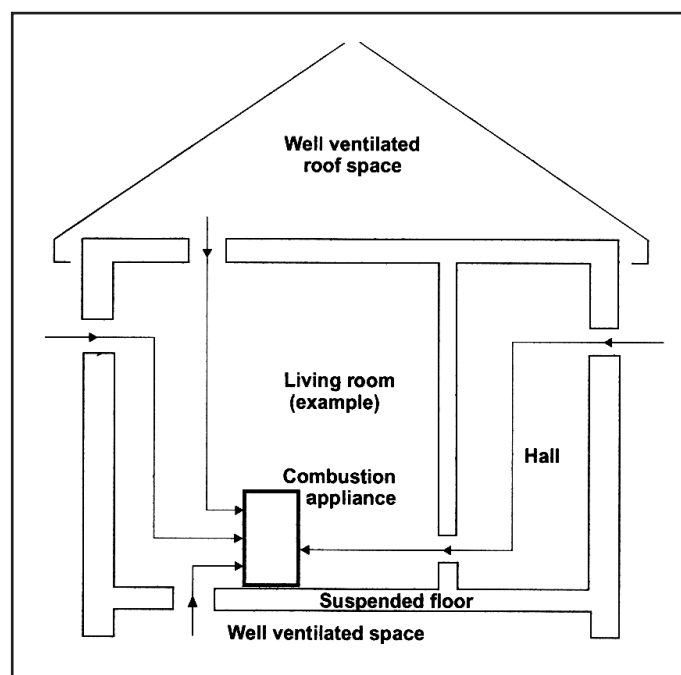
5.3 All fire surrounds should be suitable for use with solid fuel heating products.

PRE-INSTALLATION CHECKS

1. VENTILATION

Model			16" Riva Open	22" Riva Open	24" Riva Open	26" Riva Open	28" Riva Open
Flue/Chimney Size	Without liner system (round) minimum dimension (diameter.)	mm	200	200	200	200	200
		inch	8	8	8	8	8
	Without liner system (square) minimum dimension	mm	185	185	185	185	185
		inch	7 1/4	7 1/4	7 1/4	7 1/4	7 1/4
	Liner or factory made system (diameter.) <small>installed in accordance with manufacturers instructions</small>	mm	200	200	200	200	200
		inch	8	8	8	8	8
Do not connect to systems containing large voids or over 9" (230mm) square/round							
Flue/Chimney minimum height*	All Products	m	4.5	4.5	4.5	4.5	4.5
		feet	15	15	15	15	15
* When measured from the top of the appliance to the top of the flue, with no horizontal sections and a maximum of 4 bends with angles of less than 45°							

- 1.1 This appliance requires ventilation to supply combustion air. Any room containing the appliance must have a permanent air vent opening with a total free area of at least 550mm² per kW of appliance rated output above 5kW.
- 1.2 Increase air supply provisions where a room contains multiple appliances.
- 1.3 If vents open into adjoining rooms or spaces there must be an air vent of at least the same size direct to the outside.
- 1.4 Permanent air vents should be non-adjustable and positioned where they are unlikely to become blocked.
- 1.5 Site the vents where cold draught is unlikely to cause discomfort. This can be avoided by placing vents near ceilings or close to the appliance, see Diagram opposite.



PRE-INSTALLATION CHECKS

2. ADDITIONAL VENTILATION

- 2.1 Open appliances require additional ventilation to comply with the requirements of the Building Regulations. This should be provided using a permanently open air vent, of the size listed, which is positioned so that it is not liable to be blocked both inside and outside the building.
- 2.2 Extractor fans or cooker hoods should not be placed in the same room or space as the appliance.
- 2.3 **If any of these checks reveal problems do not proceed with the fitting of the appliance until they have been rectified.**

Model		16" Riva Open	22" Riva Open	24" Riva Open	26" Riva Open	28" Riva Open
Additional Ventilation	mm ²	14400	16538	19215	21735	21735
	cm ²	144	165	192	217	217
	in ²	22.32	25.63	29.78	33.69	33.69

INSTALLATION INSTRUCTIONS

LEGAL REQUIREMENTS

Before installation of this product please read these instructions fully.

It is very important to understand the requirements of the national Building Regulations* and standards**, along with any local regulations and working practices that may apply. Should any conflict occur between these instructions and these regulations then the regulations must apply.

Your local Building Control Office can advise regarding the requirements of the regulations.

The appliance must be fitted by a registered installer, or approved by your local building control officer.

Works must be carried out with care to meet the requirements of Health and Safety and comply with the Health and Safety rules, and any new regulations introduced during the lifetime of these instructions. Particular attention should be drawn to:

- **Handling:** The appliance is heavy. Adequate facilities must be available for loading, unloading and site handling.
- **Fire Cement:** Some fire cement is caustic and must not come into contact with the skin. Protective gloves must be worn. Wash hands thoroughly with plenty of water after contact with skin.
- **Asbestos:** This appliance contains no asbestos. If there is the possibility of disturbing any asbestos in the course of installation seek specialist guidance and use appropriate equipment.
- **Metal Parts:** Take care when installing or servicing the appliance to avoid personal injury.

A faulty installation can cause danger to the inhabitants and structure of the building.

For users of this appliance:

Your building insurance company may require you to inform them that you have installed a new heating appliance. Check that your cover is still valid after installing the appliance.

1. INSTALLING THE APPLIANCE

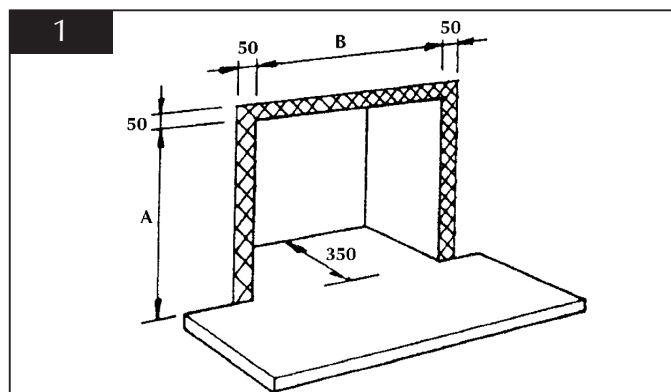
To make the fitting of the appliance easier, gain better access to the flue connection and protect paintwork from damage. The base plate may be removed on the appliance, Diagram 3.

- 1.1 To get the best output from the appliance the rear and side must be well insulated, Diagram 1.

In the U.K:

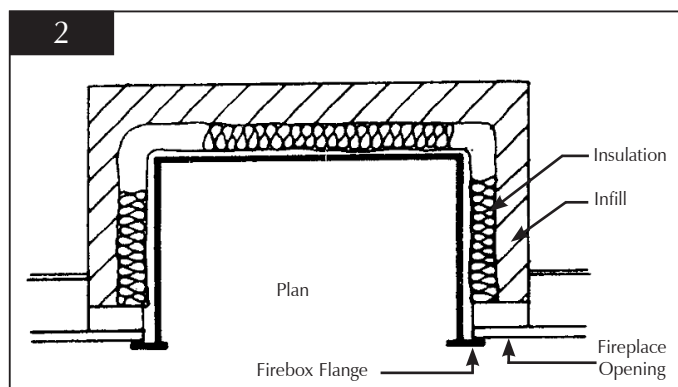
* • England and Wales – Document J / Scotland - Part F, Building Regulations, 1997 Technical Guidance Document J Heat Producing Appliances (Republic of Ireland only)

**• Registered body: HETAS (GB only)/INFO (Eire)



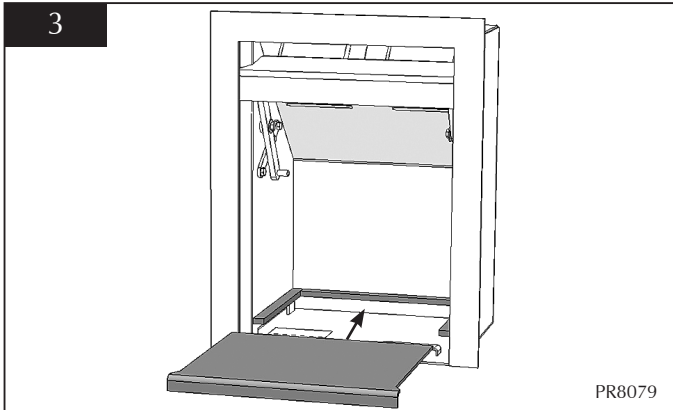
Additional insulation may be required if the recess sizes are larger than shown.

- 1.2 Any non-combustible insulation will be acceptable such as vermiculite or Perlite. Poor insulators, such as lime or rubble, should only be used after a good insulator has been installed around the firebox.
- 1.3 Decide whether the insulation is to be positioned before or after the installation of the firebox (vermiculite can be poured through the flue-ways into the recess after the appliance has been installed).
- Lift the appliance into position, Diagram 2
 - Push back until the firebox flanges sit flat against the fireplace opening



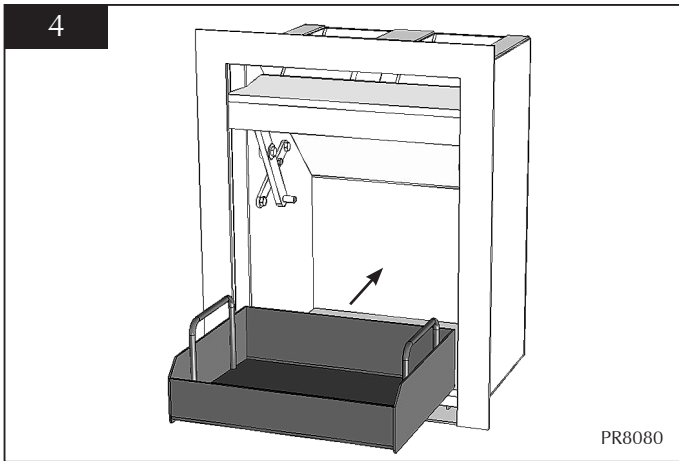
- 1.4 No fixing is required but if the front face of the opening is rough, such as natural stone, it will be necessary to seal the flanges using fire cement
- 1.5 Ensure the box sits squarely and does not rock in any direction.
- 1.6 Install the base plate by sliding it over the side and rear ledges, Diagram 3

INSTALLATION INSTRUCTIONS

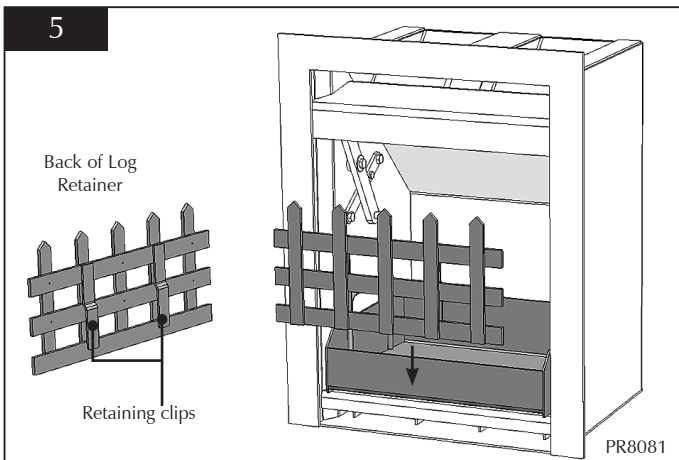


2A. FITTING OF FUEL KITS - LOG

2.1 Install the **relevant fuel box**.



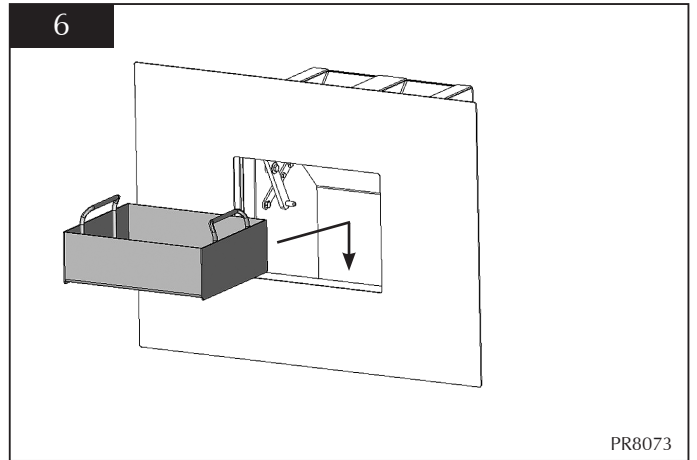
2.2 Fit the **Log Retainer (Holyrood, Castle, Portcullis)**, Diagram 5.
Note: the **Holyrood** retainer has a specially curved log-burning tray.



- Fit retaining clips over the front lip of Log Box

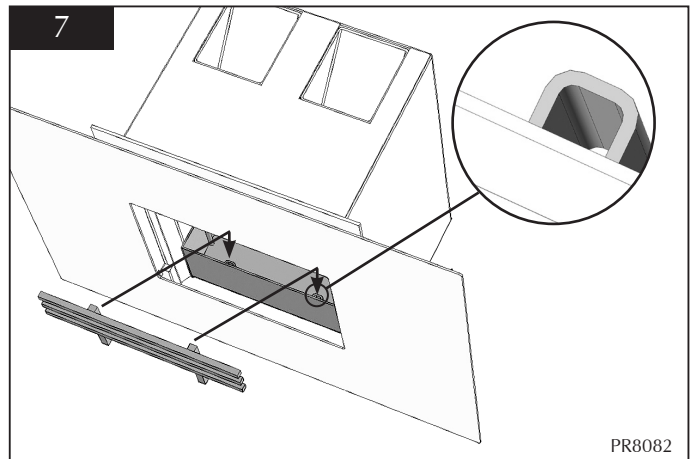
2.3 Fit the **Contemporary Log Box**, Diagram 6

- Lift over frame



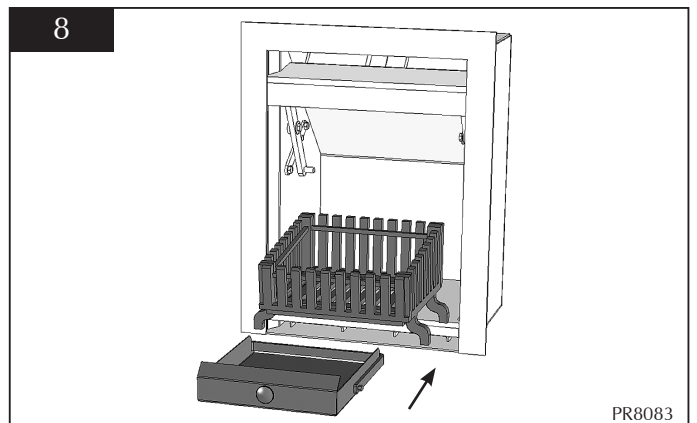
2.4 Fit the **Contemporary Log Bar**, Diagram 7

- Slide into channels in front of the logbox
The removable frame plate is not shown for clarity but must be in place **before** the Log Bar is fitted, See Section 3A.



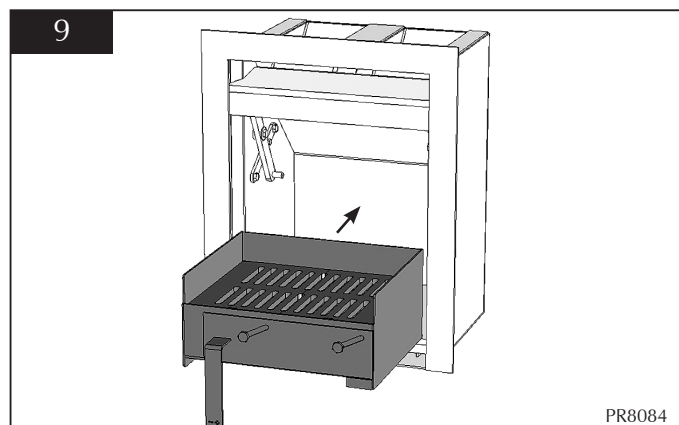
2B. FITTING OF FUEL KITS - MULTI-FUEL

2.5 Slide the **Cast Basket** and Ashpan on to the base plate, diagram 8



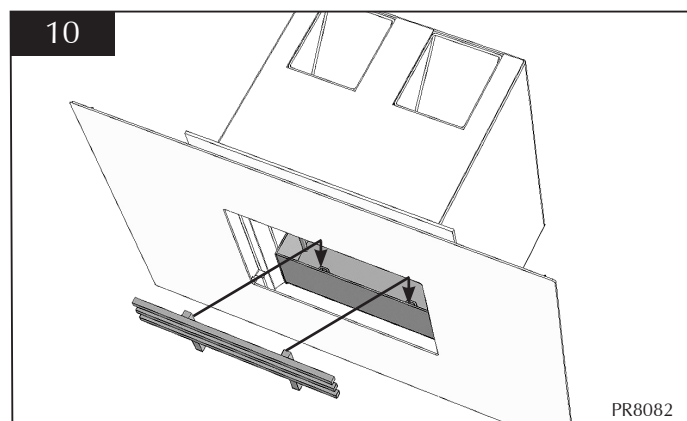
INSTALLATION INSTRUCTIONS

- 2.6 Or
- Fit a **Multi-fuel box**, Diagram 9
- This must be done with the frame removed, see Section 3



- 2.7 Fit a **Contemporary Multi-fuel Log bar**, Diagram 10
- Slide into channels in the front of the Multi-fuel Box and cutout in grates.

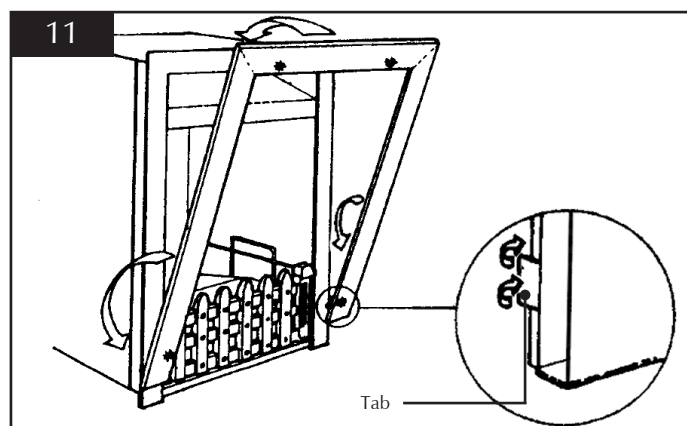
The removable frame base is not shown for clarity but must be in place **before** the Log Bar is fitted, See Section 3A.



3. FITTING OF FRAMES

3.1 Brass or Brushed Steel Profil Frames

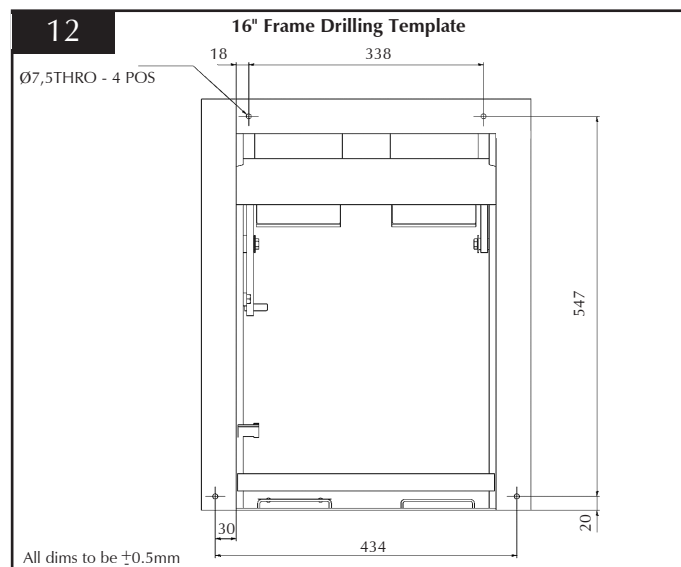
- Fit the brass or brushed steel Profil Frame, Diagram 11



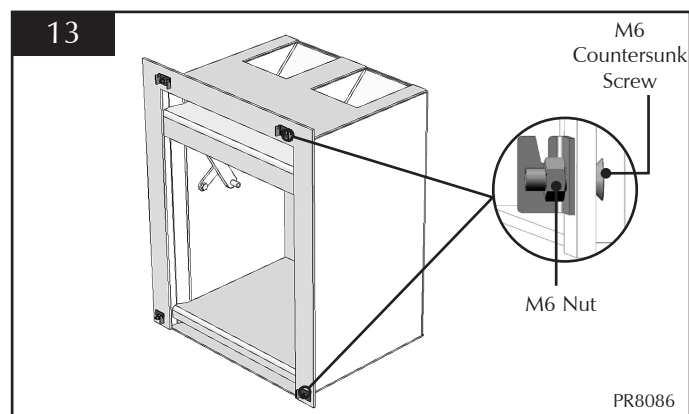
- Locate the frame around the flange
- Fold the tabs around the back edge of the flange - shown in detail (2 on sides and 2 on top)

3.2 Arts Frames

- Drill 4 Ø7.5 holes in the positions shown, Diagram 12
- A 1:1 scale drilling template is provided with the frame to assist in correctly locating the holes.

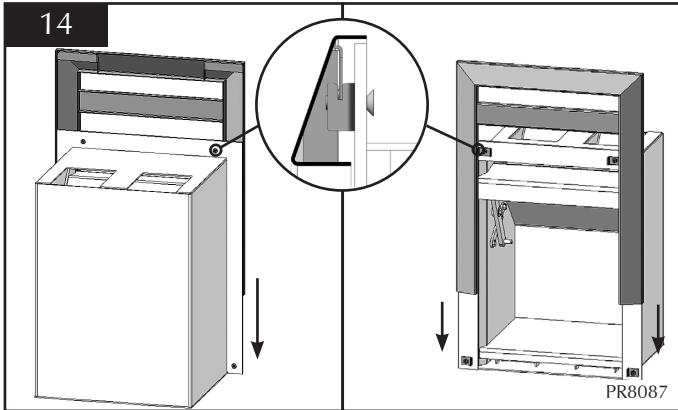


- Attach Upper ('U' shaped) and Lower (L shaped) brackets on the front of the firebox flange using M6 Countersunk Screws and Nuts, Diagram 13



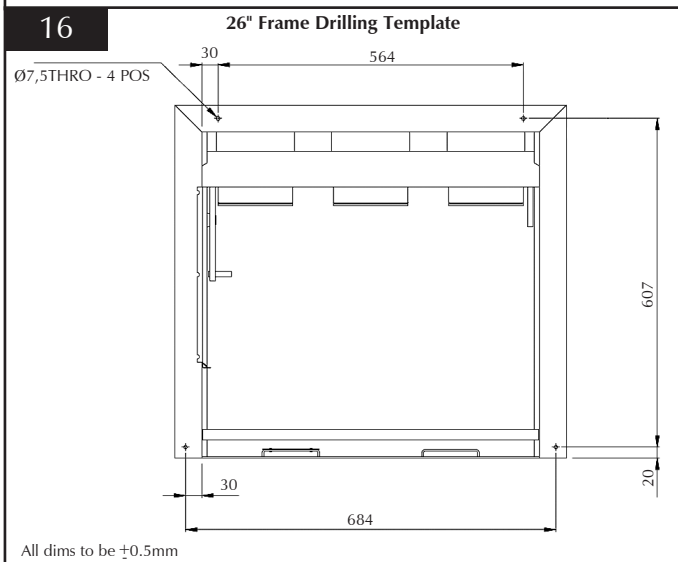
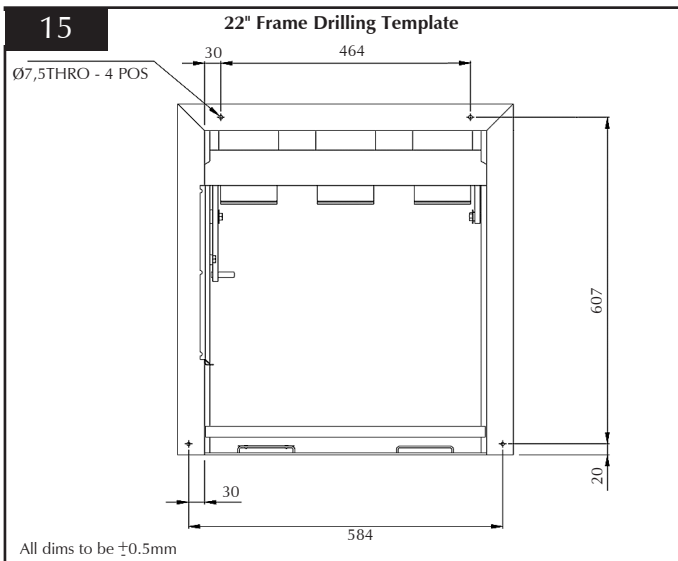
- Line the frame up with the flange
- Lower the frame over the brackets and slide into bracket slots
- Check it is located securely, Diagram 14

INSTALLATION INSTRUCTIONS

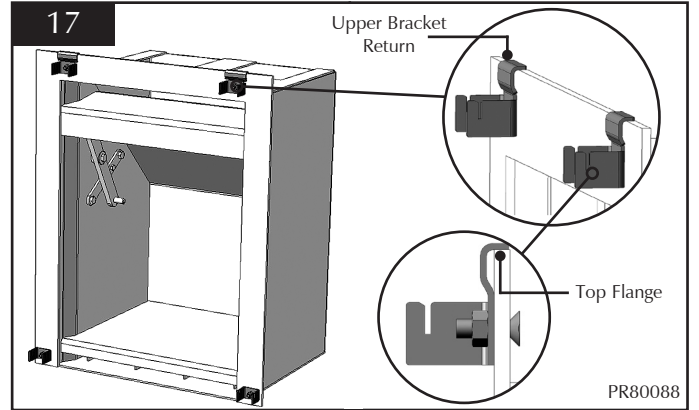


3.3 Steel Square/Rectangular Frames

- Drill 4 $\text{Ø}7.5$ holes in required positions, 16" Diagram 12, 22" Diagram 15, 26" Diagram 16
A 1:1 scale drilling template is provided with the frame to assist in correctly locating the holes.

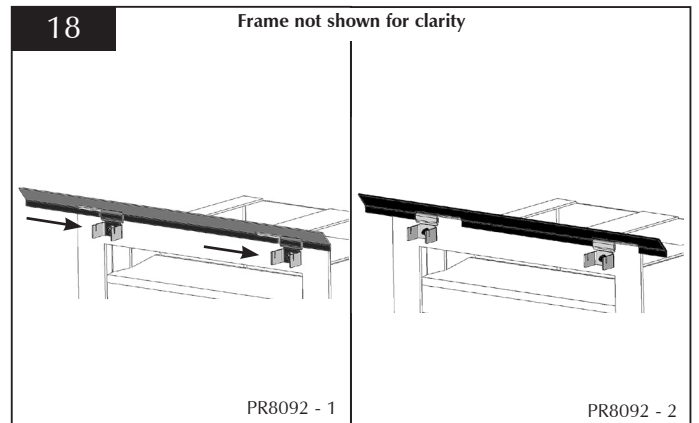


- Attach upper and lower brackets on the front of the firebox flange using M6 Countersunk Screw and Nuts, Diagram 17

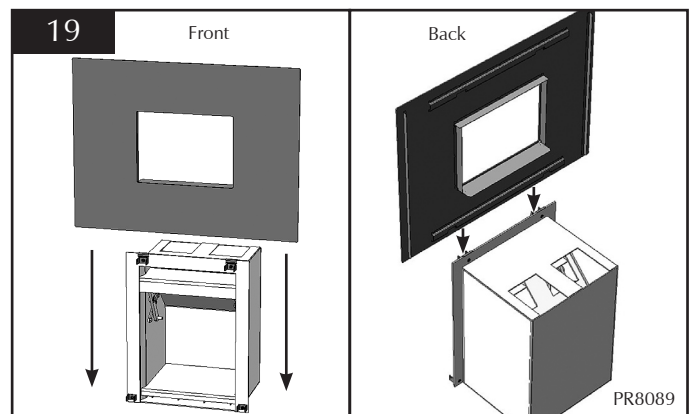


The top brackets have a return that sits on the top flange, see detail views. The bottom brackets must line up horizontally with the upper.

- Slide the air deflector in a right direction, behind the Upper Frame brackets, See Diagram 18

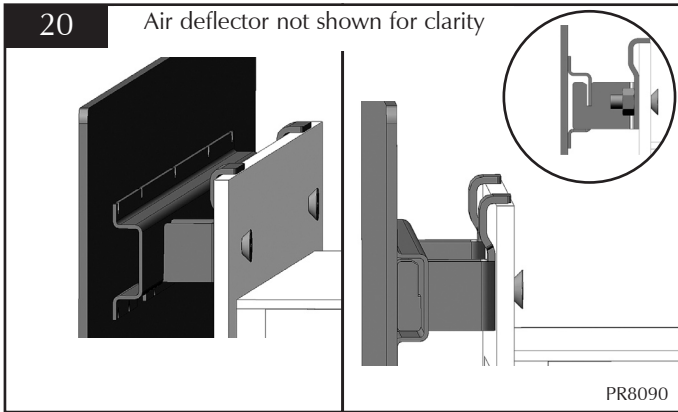


- Line the frame up above the brackets and lower into bracket slots locating the top first



- Check the frame is located securely with all 4 frame brackets in the bracket slots

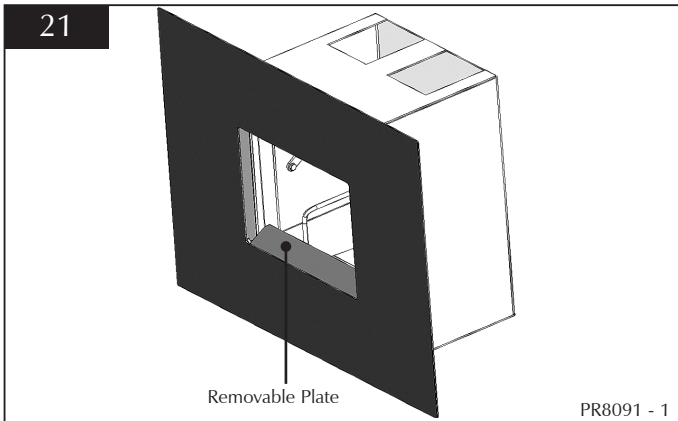
INSTALLATION INSTRUCTIONS



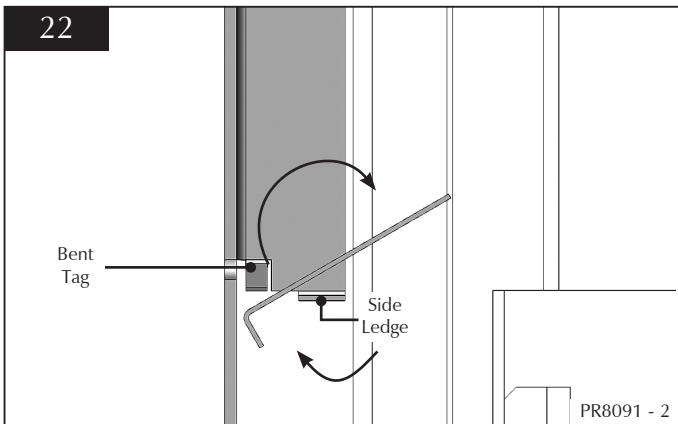
3A. REMOVABLE BOTTOM FRAME PLATE

3A.1 The steel frames have a removable bottom plate to allow easy access to the space below for **Ash Removal** with a vacuum cleaner nozzle.

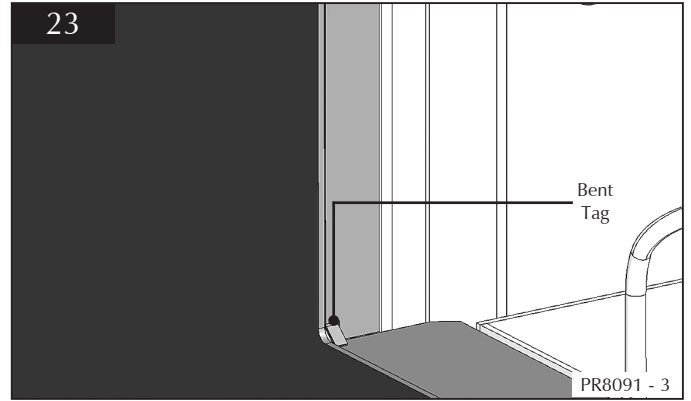
- Fit the removable bottom frame section by tilting at an angle, Diagram 21



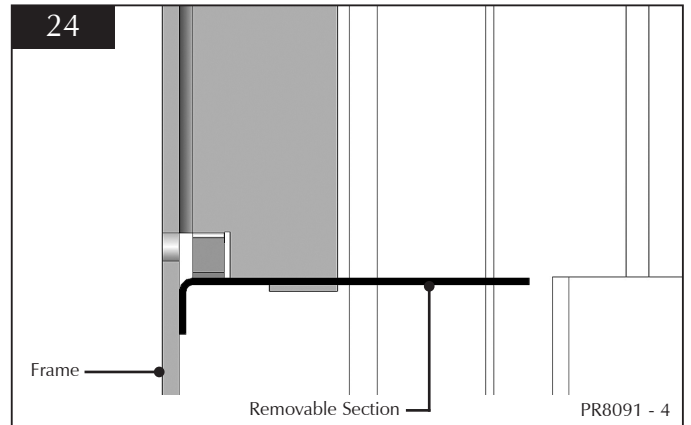
- Locate underneath the front side bent tags, Diagram 22



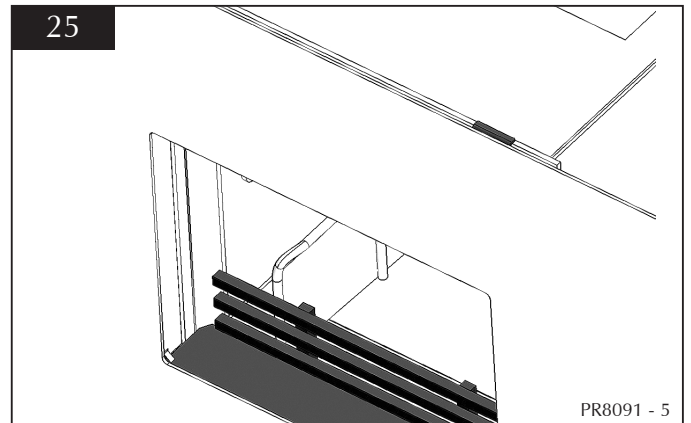
- Rotate horizontally onto the side ledges, See Diagram 23



The front face of the removable section should touch the rear face of the frame, See Diagram 24



The Log Box/Multi-fuel box log bar can then be fitted *after* the bottom removable section is in place, See Diagram 25



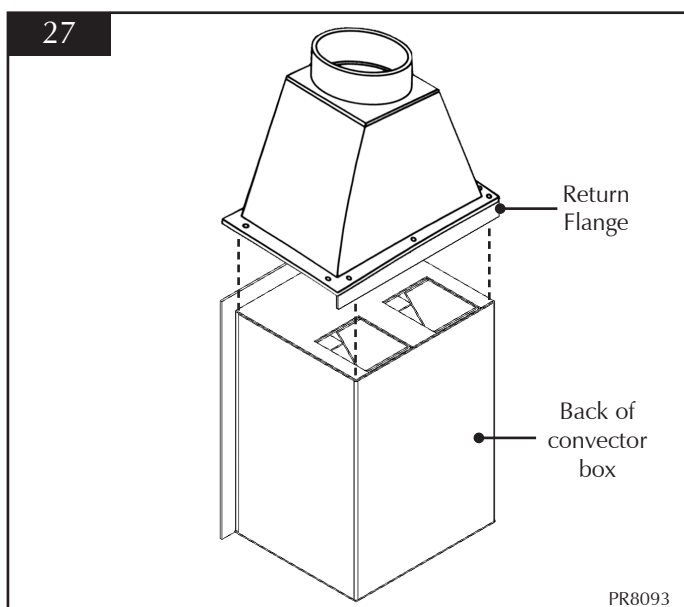
INSTALLATION INSTRUCTIONS

4. FITTING AN OPTIONAL FLUE GATHER

4.1 Fitting Of Optional Flue Gather

	16"	22"	24"	26"	28"
Flue gather - standard (central)	-	8658	8659	8660	8661
Flue gather - staggered (offset)	-	8663	8664	8665	8662

- Place the appropriate flue gather on top of the convector box, See Diagram 27



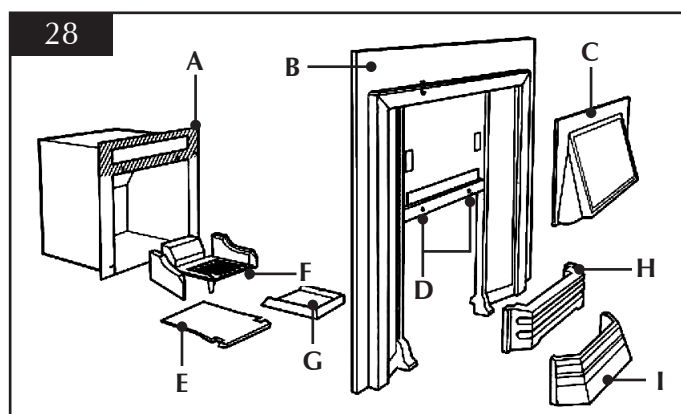
- Line the inside of the return flange up with the back of the convector box
- Mark the hole positions on the top of the Convector box
- Drill appropriate holes for a self tapping screw/tapping a hole
- Secure the gather to the top using chosen fixings (not supplied)
- Ensure a good seal is achieved with the top of the box by using either ladder tape or fire cement

5. INSTALLING SOLID FUEL CAST IRON CONVECTOR

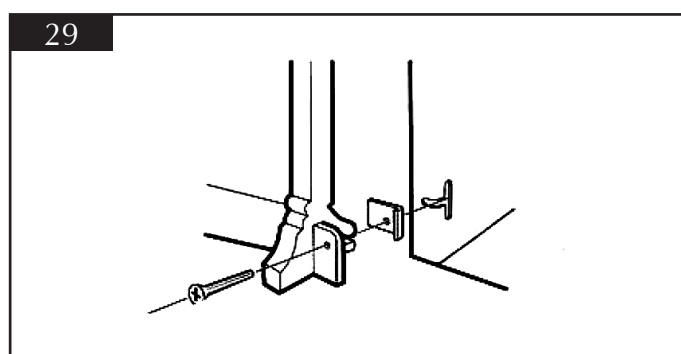
Installation of the fireplace must comply with **Building Regulations relating to heat producing appliances (Approved Document number J1/2/3)**. If there is any conflict between these instructions and the Regulations, the Regulations shall apply.

5.1 After installing the firebox, Diagram 28

- Ensure the flange of the firebox is appropriately sealed to the wall
- Slide the 2 ceramic tile sets into the ladders on either side of the cast iron fireplace (B)
- Secure in place with screws and flat bars provided
Caution: Do not overtighten the bars as this may crack the tiles.
- Attach the fireplace hood (C) using the threaded studs and nuts fixed to it
- Apply a continuous band of sealant to the hatched area on the front of the firebox, see Diagram 28



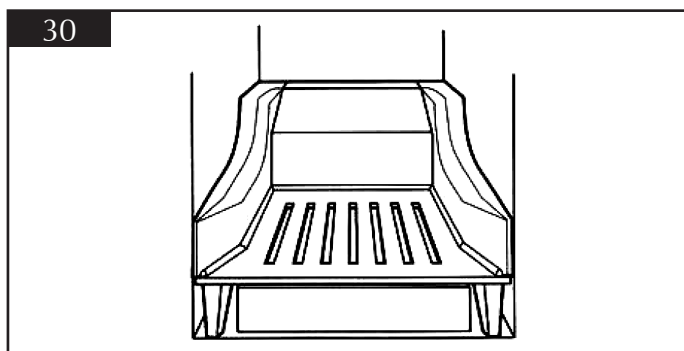
- Lift the cast iron fireplace into position against the front of the firebox
- Secure it loosely with the nuts and bolts provided through the two holes (D) below the hood
- Secure the bottom of the fireplace to the firebox using the 2 bolts and brackets supplied, See Diagram 29



- Tighten all 4 bolts securely and wipe off surplus sealant
- Slide the base plate (E) into the bottom of the firebox, slotting it over the lugs on the cast iron fireplace
- Stand the grate (F) on the base plate so it fits tightly against the back and sides of the firebox

INSTALLATION INSTRUCTIONS

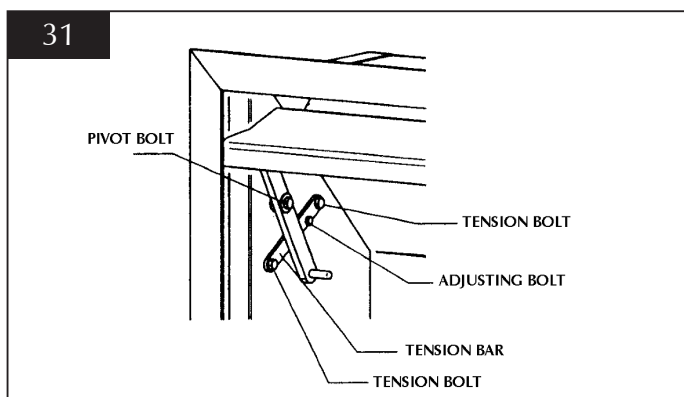
- Position the back and side cast firebricks on the grate behind the raised ribs, See Diagram 30



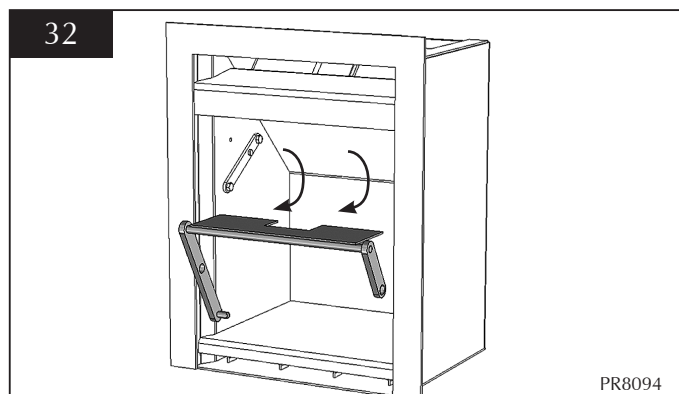
- Slide the ashpan (G) under the grate
- Hook the front bars (H) onto the fireplace and slide the ashpan cover (F) into position below them

6. FITTING AND REMOVAL OF FLUE DAMPER

- 6.1 To maintain efficient combustion, the appliance is fitted with a Flue Damper System. See Diagram 31



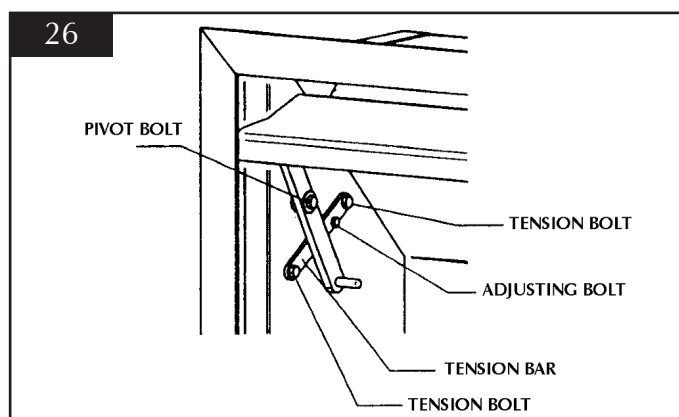
- 6.2 Allow the appliance to cool fully before removing Flue Damper.
- 6.3 To remove the damper system, first remove the fuel kit and Frame if fitted from the appliance to give access to the firebox, See section 2-3
- 6.4 Remove the Pivot Bolts (both sides of the firebox) while holding the Damper in position. This will allow the Damper to drop down for removal. Note the position of washers on the Pivot Bolts



- 6.5 The replacement of the system is the reverse of the previous operations.
- 6.6 It is important to remove and clean the Flue Damper system to ensure the flue ways are clear of soot and debris to ensure the safe and efficient operation of the appliance. The frequency of cleaning will depend on the appliance operating conditions.
- 6.7 The Flue Damper system is designed to give safe and efficient operation of the appliance. Replace any damaged baffles immediately.
- 6.8 Do not modify the Flue Damper.

7. DAMPER ARM ADJUSTMENT

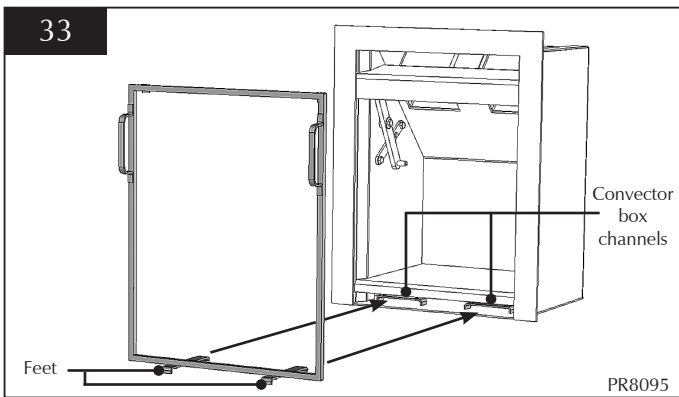
- 7.1 Set the **Damper Arm**, Diagram 26
If the damper arm is either too loose or too tight in operation adjust by the following method:
- Ensure both pivot bolts are tight
 - Slacken the two tension bolts
 - Adjust the adjusting bolt
 - Re-tighten the two tension bolts



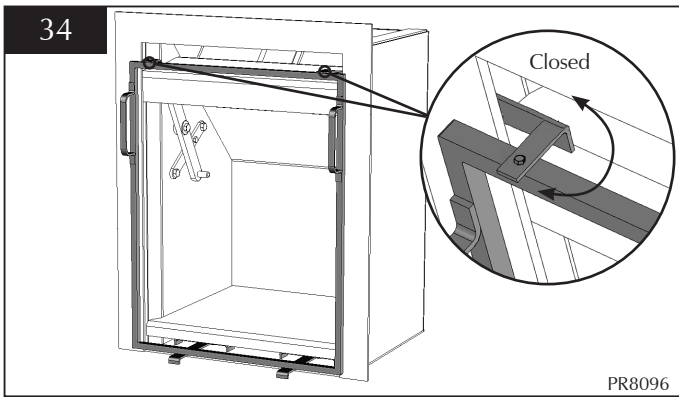
INSTALLATION INSTRUCTIONS

8. FITTING AND REMOVAL OF TRADITIONAL SPARKGUARD

	16"	22"	24"	26"	28"
Traditional clip-in spark guard -std	8690	8691	8692	8693	8694
Traditional clip-in spark guard -low lintel	8695	8696	8697	8698	-



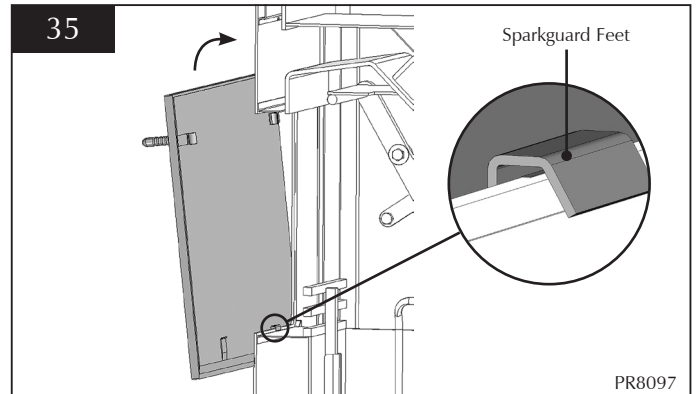
- Fit the sparkguard feet to the frame using fixings supplied. The longer side faces the convector box.
- Slide the spark guard feet under the convector box channels



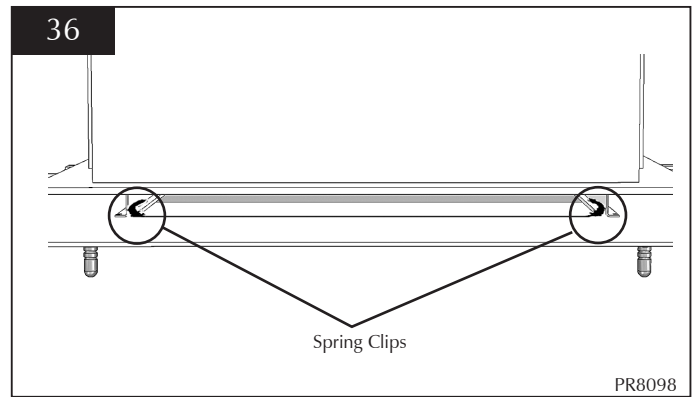
- Rotate top clips to locate in behind Convector box flange
- Releasing the sparkguard is the reverse of the above

9. FITTING AND REMOVAL OF CONTEMPORARY STEEL FRAME SPARKGUARD

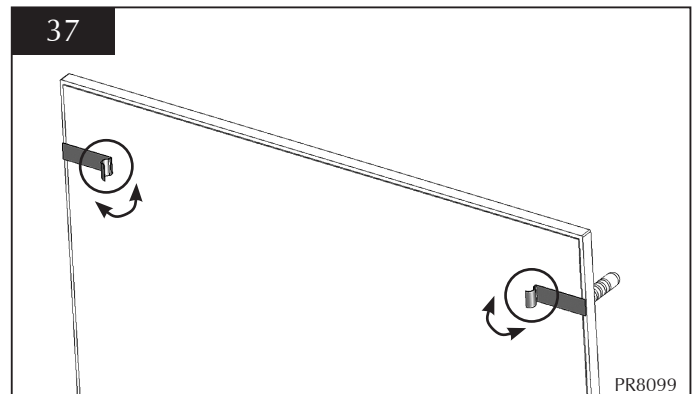
	16"	22"	24"	26"	28"
Contemporary clip-in spark guard	8740	8741	-	8743	-



- Locate Sparkguard feet behind frame ledge



- Line up Spring clips with the internal edges of the frame sides
- Secure in position by pushing on sparkguard handles



- Adjust the top spring clips with pliers if required. Tighten enough to hold the sparkguard in position and pull open easily.

Removal is the opposite of fitting:

- Pull lightly on the sparkguard handle to release spring clips
- Angle towards you
- Lift the feet clear of the frame ledge

COMMISSIONING

COMMISSIONING

1.1 To commission:

- Check the soundness of seals, castings and joints (Convactor box flange and flue gather)
- Check the operation of the air controls

1.2 Now carry out a final smoke draw test:

- First warming the flue with a blowlamp, or similar, for about 10 minutes
- Place a smoke pellet on the centre of the firebox, with the air controls open
Smoke should now be drawn up the flue and be seen to exit from the flue terminal.
- Complete test with all doors and windows closed in the room where the appliance is fitted
- If there are any extractor fans in adjacent rooms, the test must be repeated with the fans running on maximum and interconnecting doors open
- Check the effect of ceiling fans during the test

If the test fails, re-check the suitability of the flue system and ventilation. An inadequate air supply to the room is potentially dangerous.

- Light the appliance and slowly increase the temperature to operating levels
- Ensure no combustion products enter the room
- When the appliance reaches operating condition carry out a spillage test with a smoke match or pellet around the opening

1.3 If excessive spillage occurs:

- Allow the appliance to cool and re-check the flue system and ventilation

1.7 Finally:

- **Explain the safe operation of the appliance and the use of the controls to the user and the importance of only using suitable fuels**
- **Explain the cleaning and routine maintenance requirements**
- **Explain the requirement to use a suitable fireguard when children, elderly or infirm persons are near the appliance**
- **Record dealer/supplier details and installer details in *Instructions***

- **Record serial number in page 3 of *Instructions***

This number is required when ordering spare parts and making warranty claims

- **Give the copy of the *Instructions* to the customer**

MAINTENANCE and SERVICING

For a complete list of spare parts and accessories contact your Stovax dealer for the Stovax Fireplace, Stove & Hearth Accessories brochure or call 01392 474011

1. ANNUAL SERVICE

- 1.1 Before the start of the heating season strip, inspect and clean the appliance as detailed:
- Allow appliance to cool
 - Remove all of the following internal parts; damper system, complete log box/multi-fuel box/cast basket
 - Remove any frames, *Installation Section 3*
 - Sweep the appliance at this point if it is required
 - Vacuum clean any remaining ash and debris from the inside of the appliance

Stovax offer a filter/collection attachment for your vacuum cleaner to protect it from fire ash. Ash Clean (Stovax Part No. 2091).

- Clean the internal surfaces of the appliance using a wire brush and scraper as required
- Vacuum and brush the resulting debris from the appliance.

- Clean the grate parts with a wire brush, and check the parts for any damage
- Replace any damaged parts
- Re-fit cleaned internal parts

- Lightly oil any operating mechanisms

To refresh painted finishes use Stovax Thermolac paint.

- 1.2 Use genuine Stovax replacement parts to keep your appliance in safe and efficient working order. Your local Stovax dealer can provide you with the parts you require.

This is a list of the maintenance products you may need to use

Task	Product name	Stovax Code Number
Preventing build-up of creosote in flue	Protector (15 sachets)	7002
	Protector (1kg tub)	7025
Sealing flue pipe joints	Fire Cement (500g tub)	2020
	Fire Cement (600g cartridge)	2021
Re-painting	Thermolac Black (400ml aerosol)	2019
	Thermolac Black (200ml brush-on)	2057
Cleaning matt black Appliances	Colloidal black (85ml)	7000
Protecting your hands	Heat resistant leather gloves	4008
Ash Clean	Vacuum Cleaner Attachment	2091

These products, available from your local Stovax dealer, along with regular maintenance and use of correct fuels, will keep your appliance in the best possible condition.

- 1.3 If you require more information about Stovax group products visit our web site www.stovax.com
- 1.4 Using the appliance for the first time:
- Burn at a low output for the first day of use
- This allows the seals and paint to fully cure.
- 1.5 During this time the appliance may give off some unpleasant odours:
- Keep the room well ventilated to avoid a build-up of fumes.
- 1.6 Your Stovax dealer can carry out service and maintenance.

2. FITTING AND REMOVAL OF FLUE DAMPER

- 2.1 See Section 6 Fitting & Removal of Flue Damper in Installation section.

NOTES

SERVICE RECORDS

1ST SERVICE

Date of Service:.....

Next Service Due:.....

Signed:.....

Dealer's Stamp/HETAS Registration Number

2ND SERVICE

Date of Service:.....

Next Service Due:.....

Signed:.....

Dealer's Stamp/HETAS Registration Number

3RD SERVICE

Date of Service:.....

Next Service Due:.....

Signed:.....

Dealer's Stamp/HETAS Registration Number

4TH SERVICE

Date of Service:.....

Next Service Due:.....

Signed:.....

Dealer's Stamp/HETAS Registration Number

5TH SERVICE

Date of Service:.....

Next Service Due:.....

Signed:.....

Dealer's Stamp/HETAS Registration Number

6TH SERVICE

Date of Service:.....

Next Service Due:.....

Signed:.....

Dealer's Stamp/HETAS Registration Number

7TH SERVICE

Date of Service:.....

Next Service Due:.....

Signed:.....

Dealer's Stamp/HETAS Registration Number

8TH SERVICE

Date of Service:.....

Next Due:.....

Signed:.....

Dealer's Stamp/HETAS Registration Number

9TH SERVICE

Date of Service:.....

Next Due:.....

Signed:.....

Dealer's Stamp/HETAS Registration Number

10TH SERVICE

Date of Service:.....

Next Service Due:.....

Signed:.....

Dealer's Stamp/HETAS Registration Number

EC Declaration of Conformity



The undersigned, representing the following :

Manufacturer
Stovax Ltd Falcon Road, Sowton Industrial Estate Exeter EX2 7LF

Herewith declare that the products :

Description	Product code	Description	Product code
16" Convector box	8610	24" Low convector box	8607
16" Low convector box	8611	26" Convector box	8608
22" Convector box	8604	26" Low convector box	8609
22" Low convector box	8605	28" Convector box	8673
24" Convector box	8606		

Description of product : Domestic wood and multifuel inset heating stove product range.
 Steel fabricated stove body fitted with various decorative trim and firegrate options. Supplied in various sizes to give a range of heat output options, are in conformity with the provisions of the following EC Directive(s) when installed in accordance with the installation instructions in the product documentation :
 98/106/EEC Construction Products Directive
 and the standards referenced below have been applied :
 EN 13229 : 2001 Roomheaters fired by solid fuel – Requirements and test methods

Product : Roomheater fired by solid fuel as covered under the scope of the standards listed. Intended use : Space heating in residential buildings.		
Characteristic	Performance	Report
Fire safety	Satisfies	
Emission of combustion products	16" Convector box (8610 / 8611) CO @ 13% O ₂ Wood 0.32% - Briquetted fuel 0.61% 22" Convector box (8604 / 8605) CO @ 13% O ₂ Wood 0.30% - Briquetted fuel 0.63% 24" Convector box (8606 / 8607) CO @ 13% O ₂ Wood 0.28% - Briquetted fuel 0.65% 26" convector box (8608 / 8609) CO @ 13% O ₂ Wood 0.27% - Briquetted fuel 0.55% 28" convector box (8673) CO @ 13% O ₂ Wood 0.26% - Briquetted fuel 0.47%	
Release of dangerous substance	None	
Surface temperature	Satisfies	
Mechanical resistance (to carry a chimney/flue)	Maximum weight to be supported 25Kg	
Thermal output / Efficiency	16" Convector box (8610 / 8611) Wood 4.0Kw @ 40% - Briquetted fuel 3.0Kw @ 40% 22" Convector box (8604 / 8605) Wood 6.5Kw @ 35% - Briquetted fuel 4.0Kw @ 40% 24" Convector box (8606 / 8607) Wood 8.0Kw @ 39% - Briquetted fuel 5.0Kw @ 43% 26" convector box (8608 / 8609) Wood 9.0Kw @ 39% - Briquetted fuel 5.0Kw @ 35% 28" convector box (8673) Wood 10.0Kw @ 39% - Briquetted fuel 5.0Kw @ 35%	

Test laboratory : 0608

Name : D. J. Saunders

Position : Design Engineer

Signature :

Date : 16 / 04 / 2007

Sheet 1 of 1

STOVAX

Stovax Ltd, Falcon Road, Sowton Industrial Estate, Exeter, Devon, England EX2 7LF
Tel: (01392) 474011 Fax: (01392) 219932 E-mail: info@stovax.com www.stovax.com